



# PPL 504LA BASE

W/PCORP 55-332P COVER

4'-2" X 4'-2" X 3'-2"

(INSIDE DIMENSIONS)

PPL# 1790001

36" X 36"  
GALVANIZED DIAMOND  
PLATE SPRING ASSISTED  
INCIDENTAL DOOR

2 TON  
LIFTING  
INSERTS  
(4 TYP.)

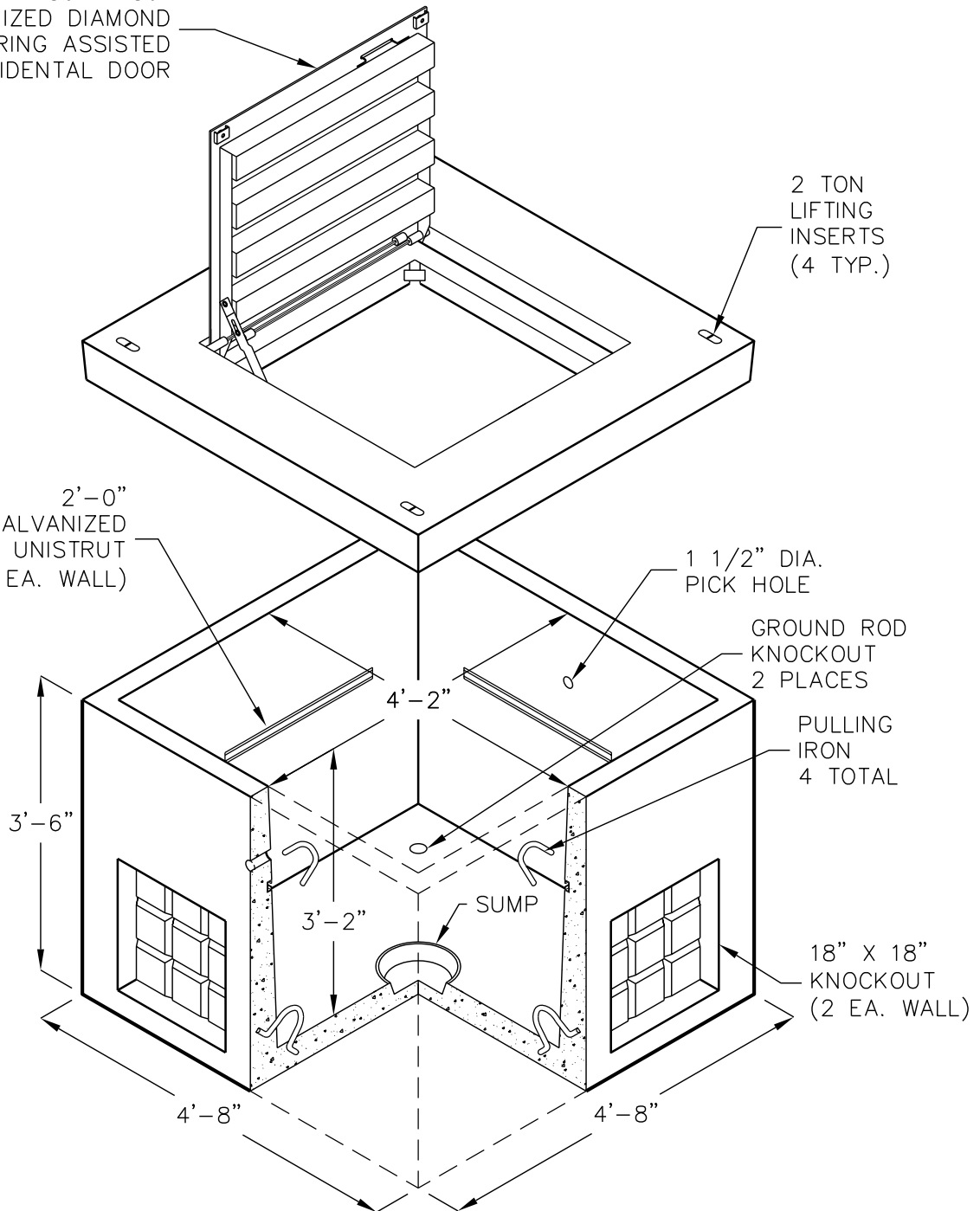
2'-0"  
GALVANIZED  
UNISTRUT  
(1 EA. WALL)

1 1/2" DIA.  
PICK HOLE

GROUND ROD  
KNOCKOUT  
2 PLACES

PULLING  
IRON  
4 TOTAL

18" X 18"  
KNOCKOUT  
(2 EA. WALL)



FOR COMPLETE DESIGN  
AND PRODUCT INFORMATION  
CONTACT JENSEN PRECAST.