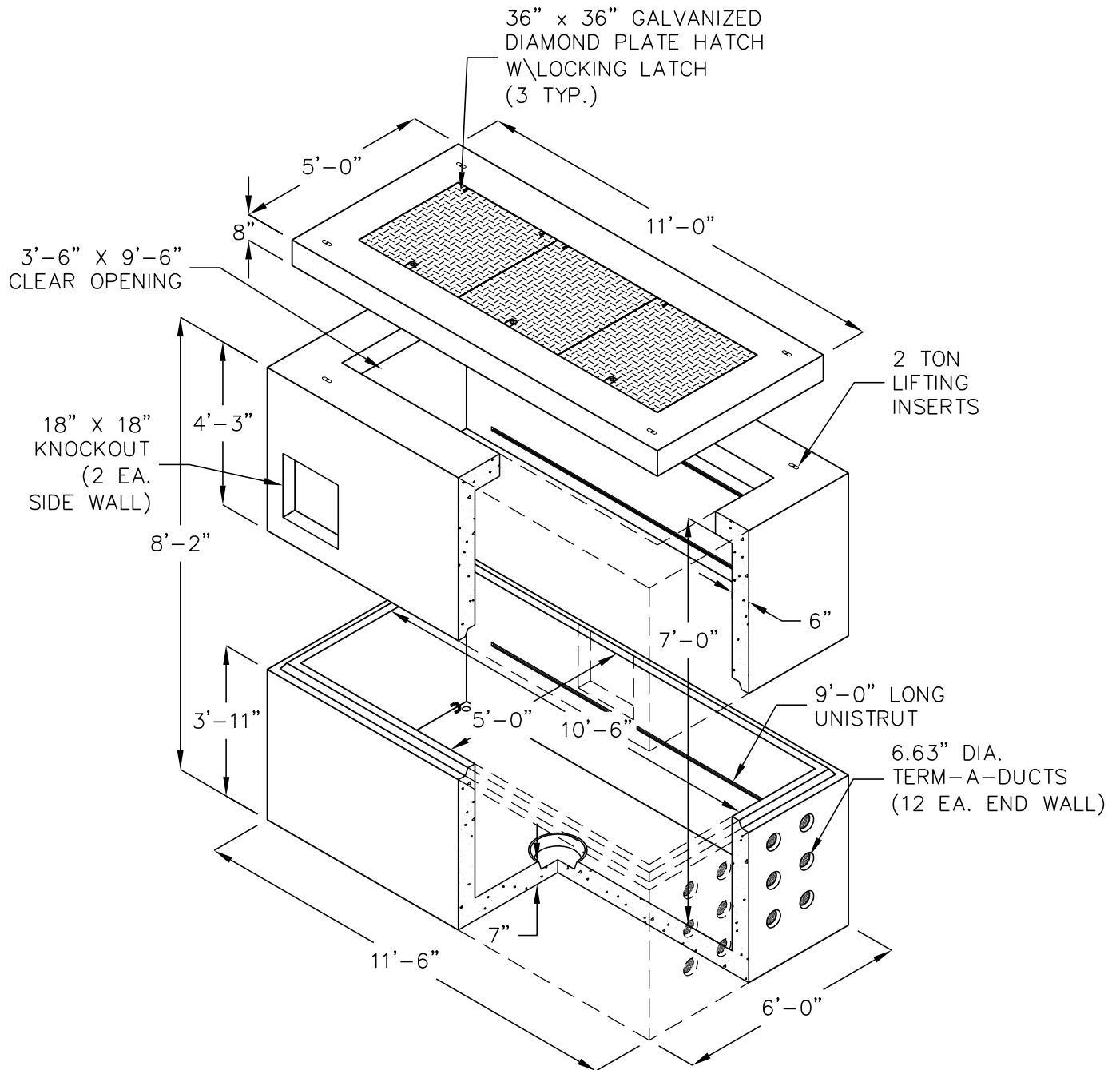


# PGE 5106

## WITH ADJUSTABLE TOP SLAB

### 5'-0" X 10'-6" X 7'-0"

### (INSIDE DIMENSIONS)



FOR COMPLETE DESIGN  
AND PRODUCT INFORMATION  
CONTACT JENSEN PRECAST.