



PGE 506 BASE

W/PGE 55-332P COVER

4'-2" X 4'-2" X 5'-2"

(INSIDE DIMENSIONS)

36" X 36"
GALVANIZED DIAMOND
PLATE SPRING ASSISTED
INCIDENTAL H-20
TRAFFIC RATED DOOR

2 TON
LIFTING
INSERTS
(4 TYP.)

2'-0"
GALVANIZED
UNISTRUT
(1 EA. WALL)

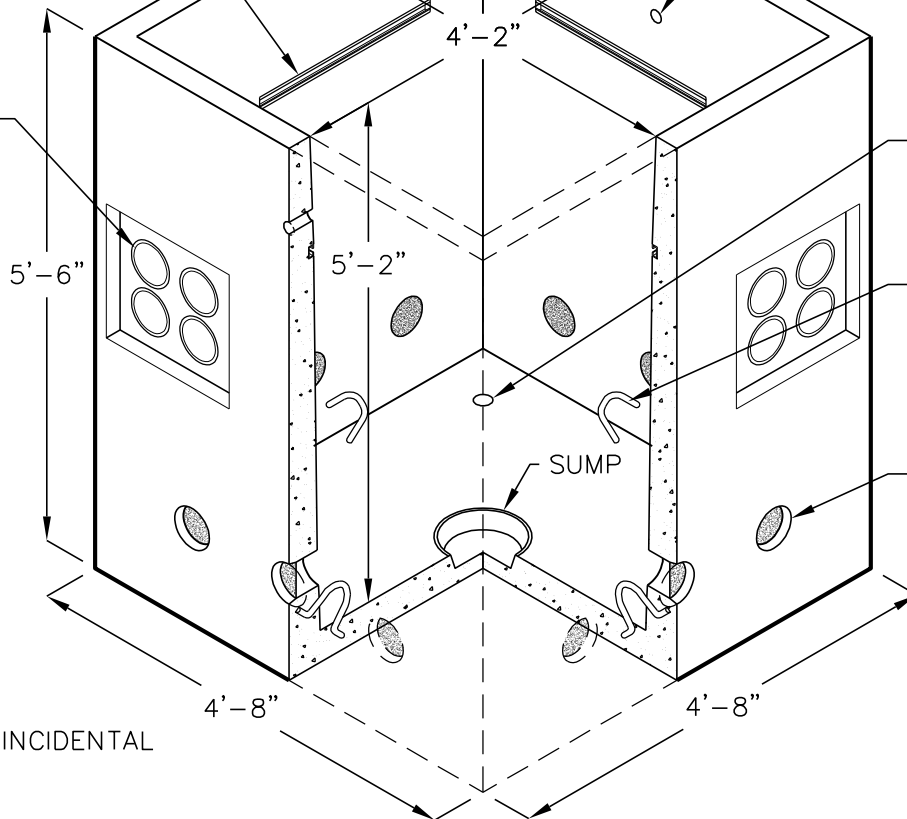
1 1/2" DIA.
PICK HOLE

4 3/4" DIA.
KNOCKOUTS
(8 EA. WALL
32 TOTAL)

GROUND ROD
KNOCKOUT
2 PLACES

PULLING
IRON
4 TOTAL

4 1/2" DUCT
TERMINATORS
(3 EA. WALL,
12 TOTAL)



DESIGN LOAD: INCIDENTAL
H-20 TRAFFIC.

FOR COMPLETE DESIGN
AND PRODUCT INFORMATION
CONTACT JENSEN PRECAST.