



# PGE 504 BASE

W/PGE 55-332P COVER  
4'-2" X 4'-2" X 3'-2"  
(INSIDE DIMENSIONS)

36" X 36"  
GALVANIZED DIAMOND  
PLATE SPRING ASSISTED  
INCIDENTAL H-20  
TRAFFIC RATED DOOR

2 TON  
LIFTING  
INSERTS  
(4 TYP.)

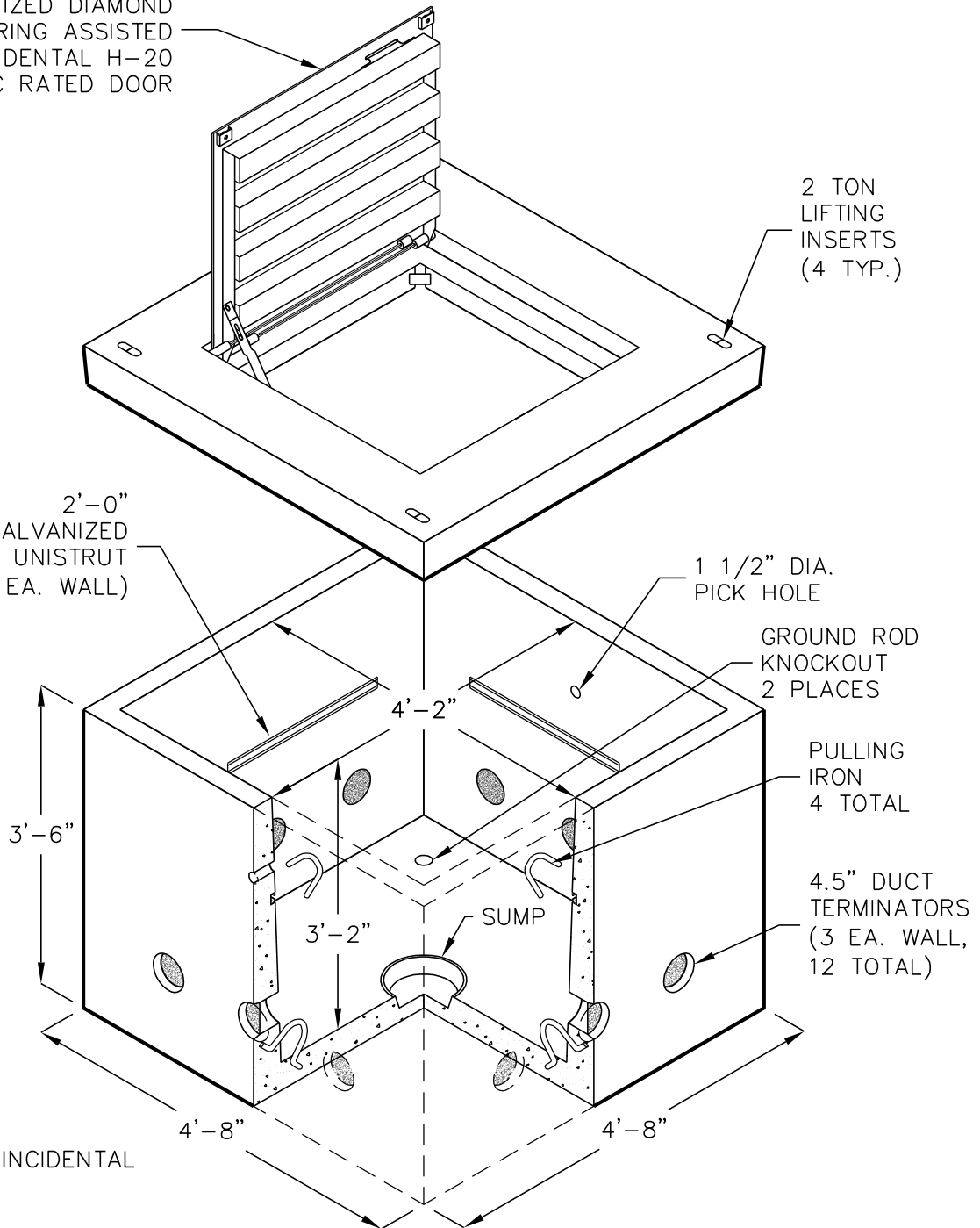
2'-0"  
GALVANIZED  
UNISTRUT  
(1 EA. WALL)

1 1/2" DIA.  
PICK HOLE

GROUND ROD  
KNOCKOUT  
2 PLACES

PULLING  
IRON  
4 TOTAL

4.5" DUCT  
TERMINATORS  
(3 EA. WALL,  
12 TOTAL)



DESIGN LOAD: INCIDENTAL  
H-20 TRAFFIC.

FOR COMPLETE DESIGN  
AND PRODUCT INFORMATION  
CONTACT JENSEN PRECAST.