

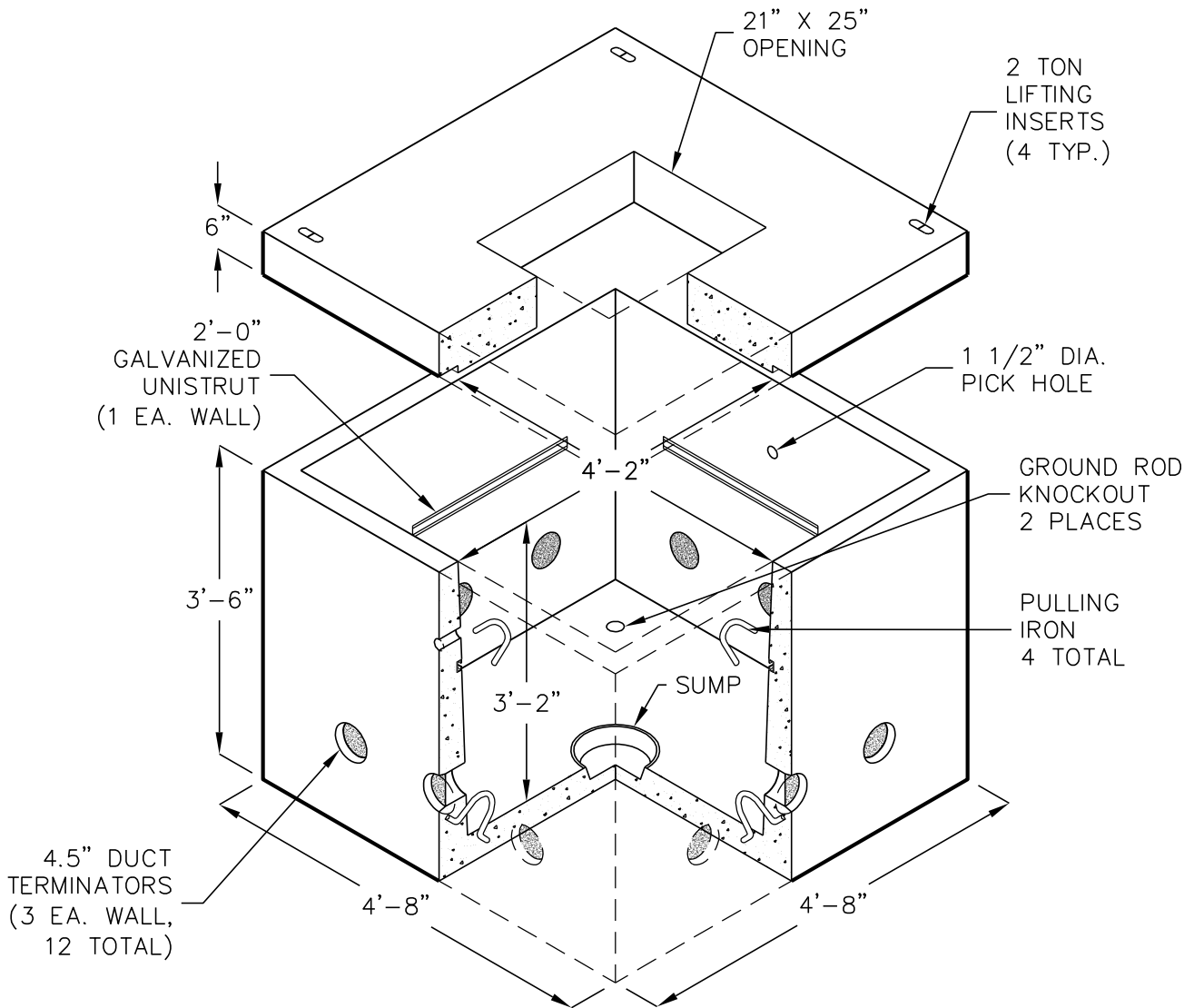


# PGE 504 BASE

W/PGE 55-2125 COVER

4'-2" X 4'-2" X 3'-2"

(INSIDE DIMENSIONS)



DESIGN LOAD: INCIDENTAL  
H-20 TRAFFIC.

FOR COMPLETE DESIGN  
AND PRODUCT INFORMATION  
CONTACT JENSEN PRECAST.