

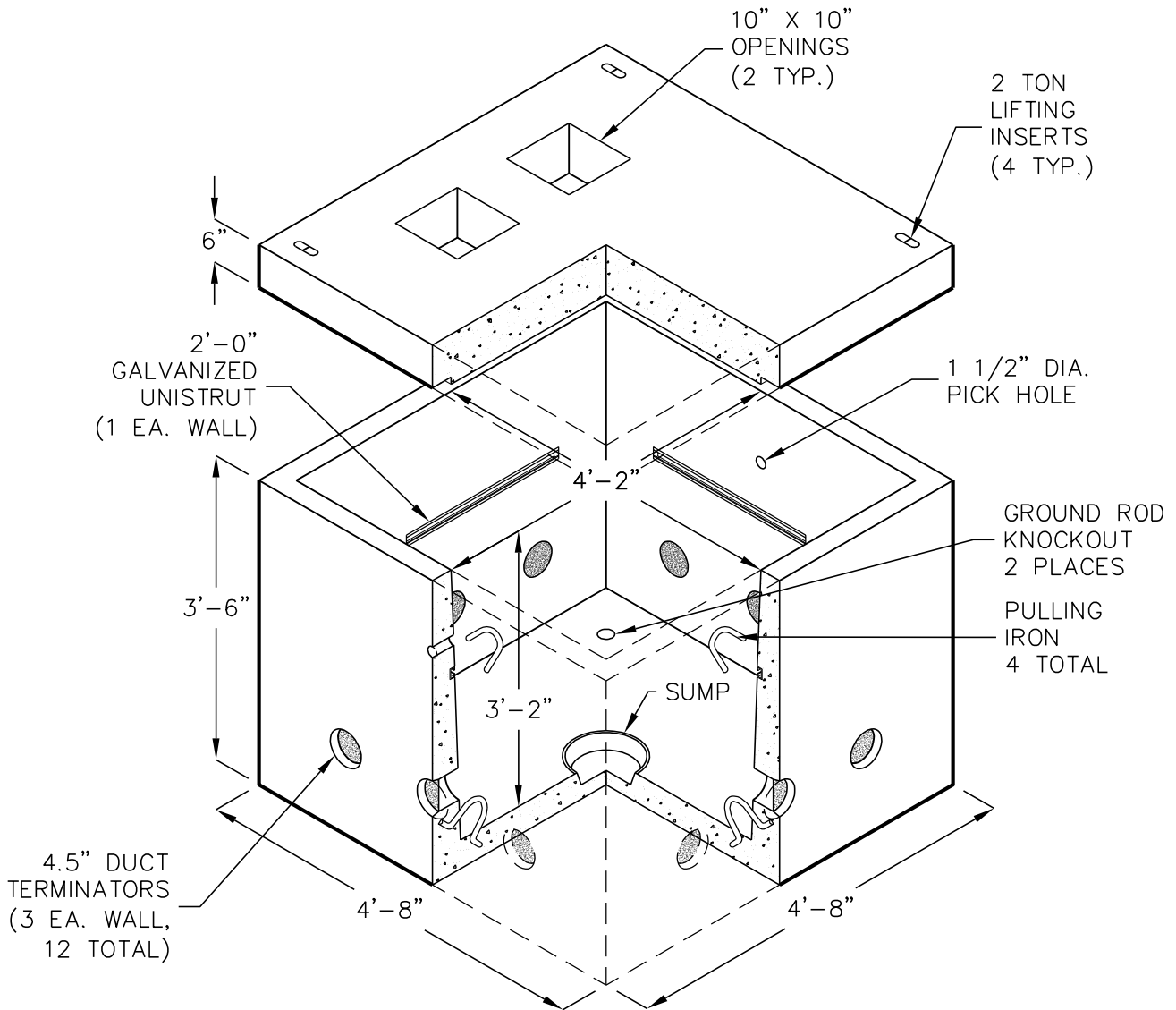


PGE 504 BASE

W/PGE 55-2-1010 COVER

4'-2" X 4'-2" X 3'-2"

(INSIDE DIMENSIONS)



DESIGN LOAD: INCIDENTAL
H-20 TRAFFIC.

FOR COMPLETE DESIGN
AND PRODUCT INFORMATION
CONTACT JENSEN PRECAST.