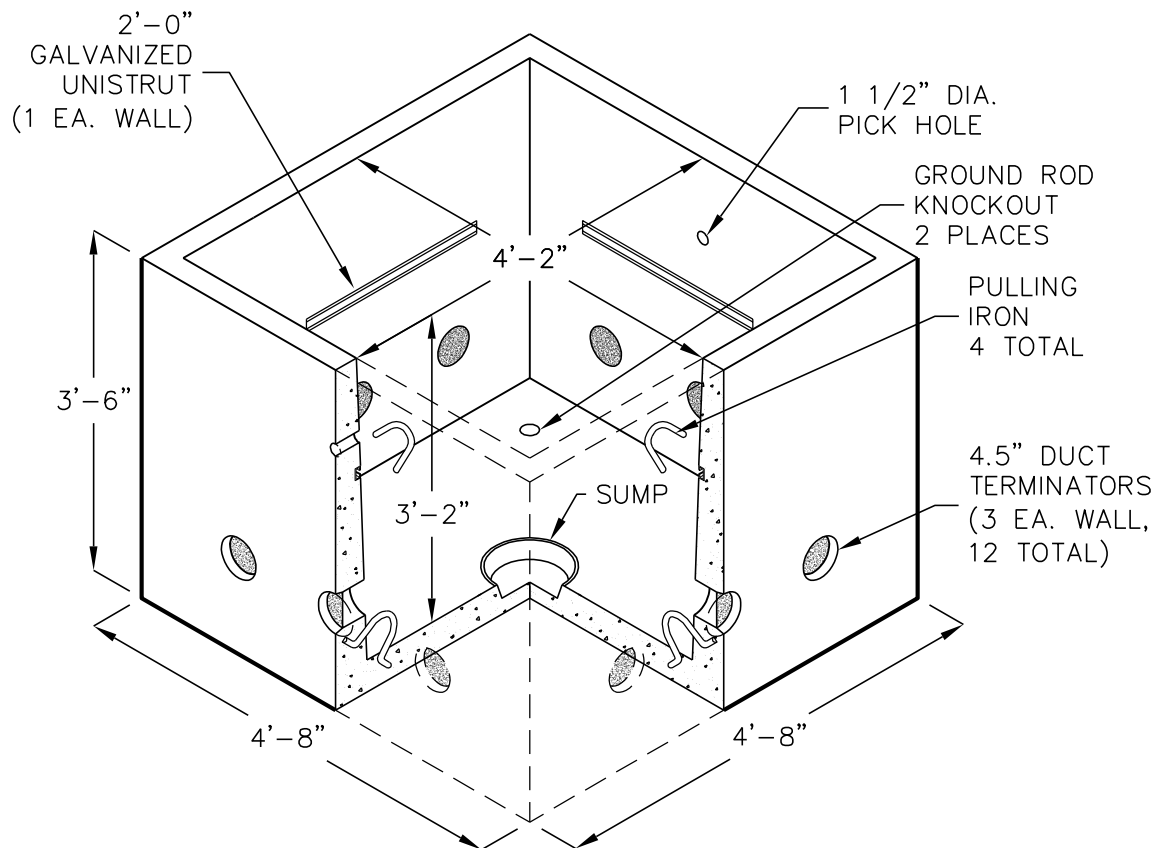




PGE 504 BASE

4'-2" X 4'-2" X 3'-2"
(INSIDE DIMENSIONS)



DESIGN LOAD: INCIDENTAL
H-20 TRAFFIC.

FOR COMPLETE DESIGN
AND PRODUCT INFORMATION
CONTACT JENSEN PRECAST.