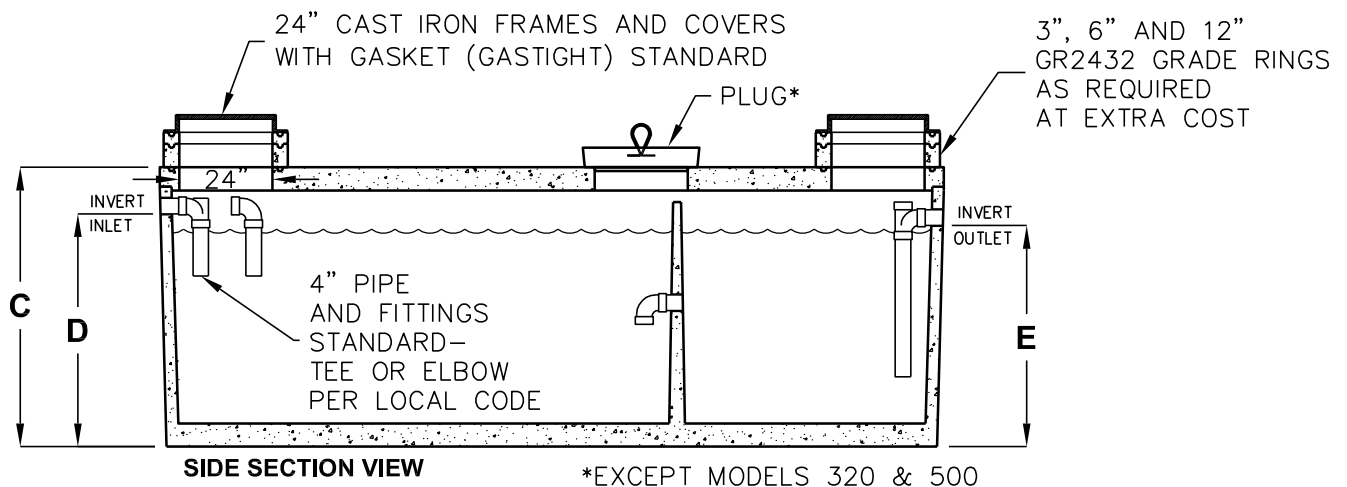
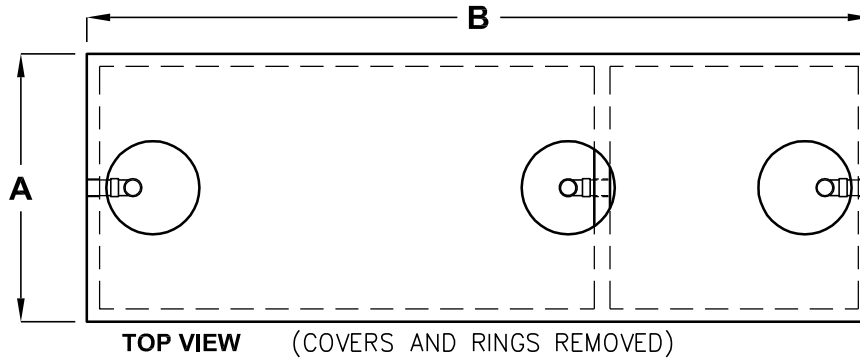


320-5000 GALLON SAND-OIL INTERCEPTORS

NORTHERN CALIFORNIA



| MODEL NUMBER | LIQUID CAPACITY (GALLONS) | DIM A | DIM B | DIM C | DIM D | DIM E | MINIMUM EXCAVATION WIDTH | MINIMUM EXCAVATION LENGTH | DEPTH OF BURY |
|--------------|---------------------------|--------|---------|--------|--------|-------|--------------------------|---------------------------|---------------|
| JP320EE-SO | 320 | 3'-0" | 7'-0" | 4'-6" | 3'-7" | 3'-4" | 4'-0" | 8'-0" | 1' TO 8' |
| JP500EE-SO | 500 | 4'-0" | 6'-0" | 5'-10" | 4'-10" | 4'-7" | 5'-0" | 7'-0" | 1' TO 6' |
| JP750EPE-SO | 750 | 4'-3" | 8'-1" | 6'-3" | 5'-0" | 4'-9" | 5'-3" | 9'-1" | 1' TO 6' |
| JP1000EPE-SO | 1000 | 5'-4" | 8'-2" | 6'-3" | 5'-0" | 4'-9" | 6'-4" | 9'-2" | 1' TO 6' |
| JP1200EPE-SO | 1200 | 6'-0" | 8'-6" | 6'-6" | 5'-0" | 4'-9" | 7'-0" | 9'-6" | 1' TO 6' |
| JP1500EPE-SO | 1500 | 5'-10" | 10'-8" | 6'-3" | 5'-0" | 4'-9" | 6'-10" | 11'-8" | 1' TO 6' |
| JP2000EPE-SO | 2000 | 4'-11" | 15'-11" | 6'-0" | 5'-0" | 4'-9" | 5'-11" | 16'-11" | 1' TO 6' |
| JZ2500EPE-SO | 2500 | 5'-9" | 16'-10" | 6'-0" | 5'-0" | 4'-9" | 6'-9" | 17'-10" | 1' TO 5' |
| JZ3000EPE-SO | 3000 | 5'-9" | 16'-10" | 6'-9" | 5'-9" | 5'-6" | 6'-9" | 17'-10" | 1' TO 5' |
| JZ4000EPE-SO | 4000 | 7'-8" | 16'-7" | 6'-9" | 5'-6" | 5'-3" | 8'-8" | 17'-7" | 1' TO 5' |
| JZ5000EPE-SO | 5000 | 7'-8" | 16'-7" | 7'-11" | 6'-9" | 6'-6" | 8'-8" | 17'-7" | 1' TO 4' |

DESIGN LOAD: H-20 TRAFFIC WITH DRY SOIL CONDITIONS (WATER LEVEL BELOW TANK.)

BEDDING NOTE: SUITABLE SUB-BASE BEDDED WITH GRANULAR MATERIAL SHALL BE PREPARED TO HANDLE ANTICIPATED LOADS.

FOR COMPLETE DESIGN AND PRODUCT INFORMATION
CONTACT JENSEN PRECAST.

9/17/07
JP320-JZ5000_SAND-OIL_NOCAL_A.dwg
© 2007 Jensen Precast

Jensen Precast reserves the right to make changes to product design and/or dimensions without notice. Please contact Jensen Precast whenever necessary for confirmation or advice on product design.

JENSEN
PRECAST