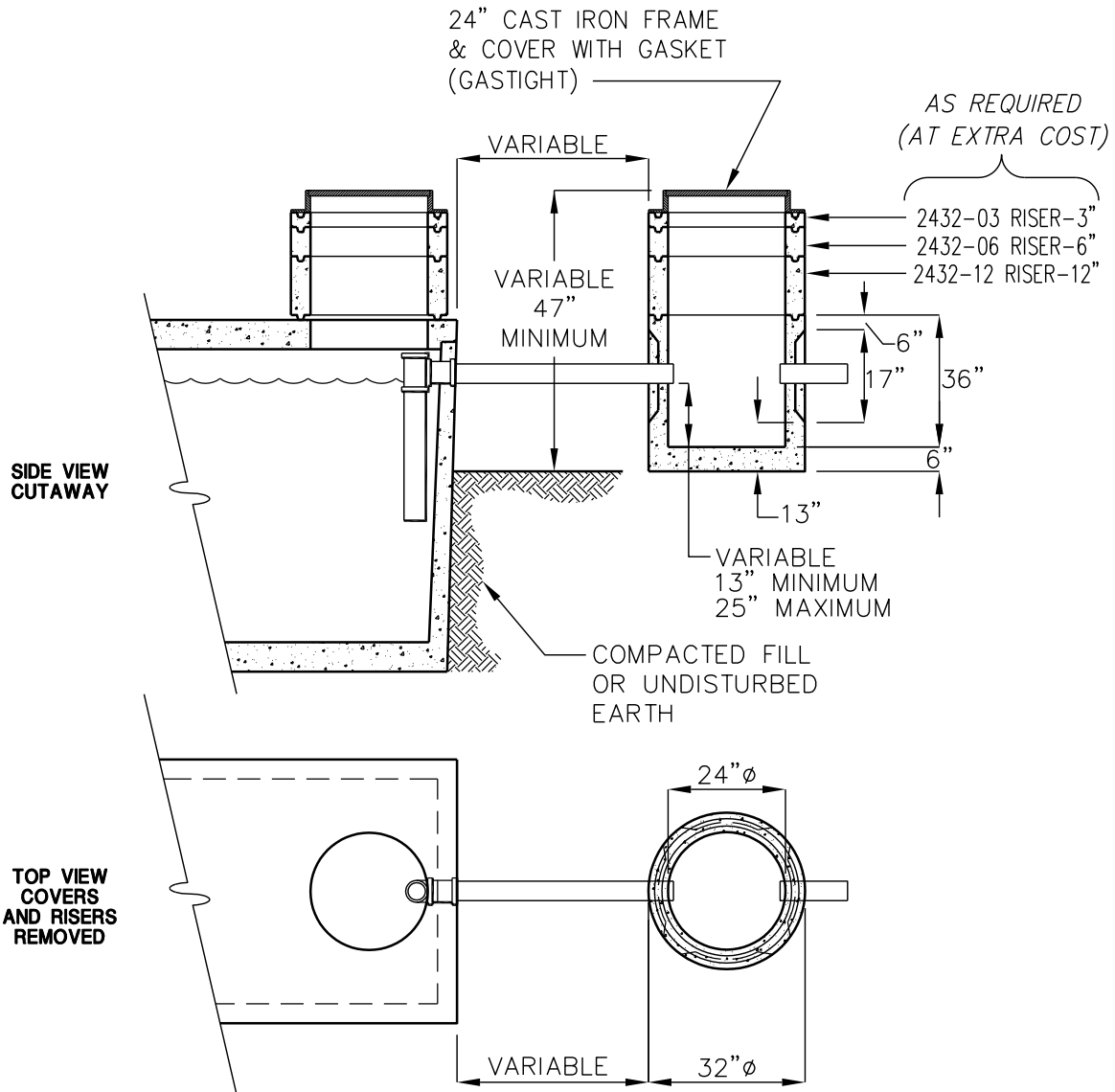


# 24" SAMPLE BOX

MODEL 200  
(FOR LARGE PIPES)



BOX WEIGHT: 1400 LBS.  
BOX DESIGN LOAD: H-20 TRAFFIC

SAMPLE BOX MUST BE PLACED ON SUITABLE BASE OF COMPACTED SOIL OR UNDISTURBED EARTH IN TRAFFIC CONDITION. FOR COMPLETE DESIGN AND PRODUCT INFORMATION, CONTACT JENSEN PRECAST.