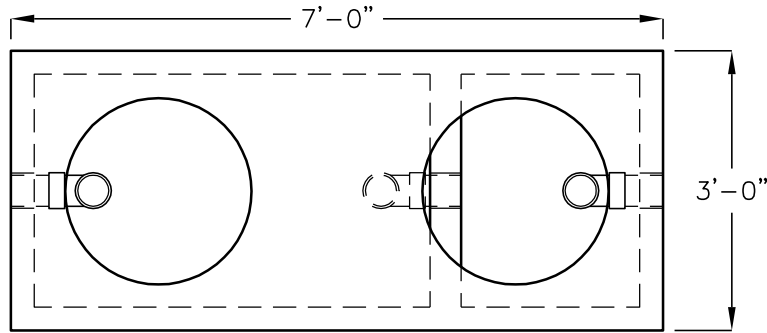
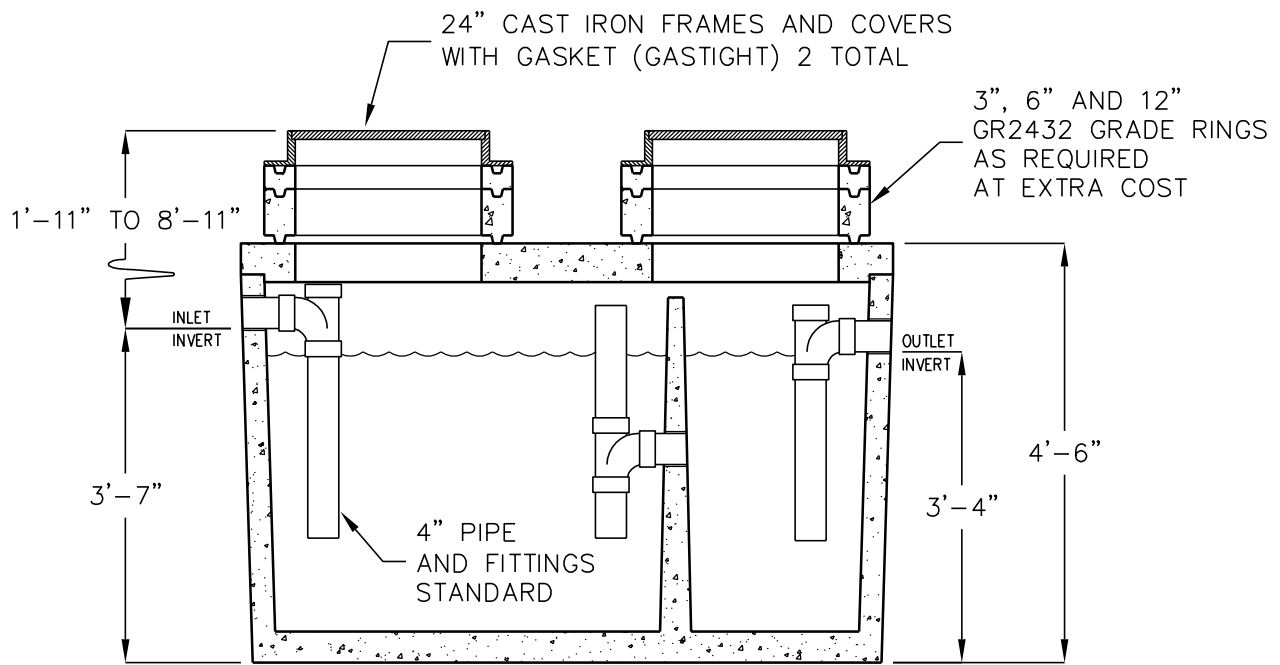


320 GALLON GREASE INTERCEPTOR

MODEL JP320EE-G
LISTED BY UPC®



TOP VIEW
(COVERS & RINGS REMOVED)



SIDE SECTION VIEW

OPERATING CAPACITY: 320 GALLONS.

DESIGN LOAD: H-20 TRAFFIC WITH DRY SOIL CONDITIONS (WATER LEVEL BELOW TANK) AND 1'-8' EARTH COVER.

BEDDING NOTE: SUITABLE SUB-BASE BEDDED WITH GRANULAR MATERIAL SHALL BE PREPARED TO HANDLE ANTICIPATED LOADS.

FOR COMPLETE DESIGN AND PRODUCT INFORMATION CONTACT JENSEN PRECAST.

MINIMUM EXCAVATION
4'-0" x 8'-0"
x REQ'D DEPTH