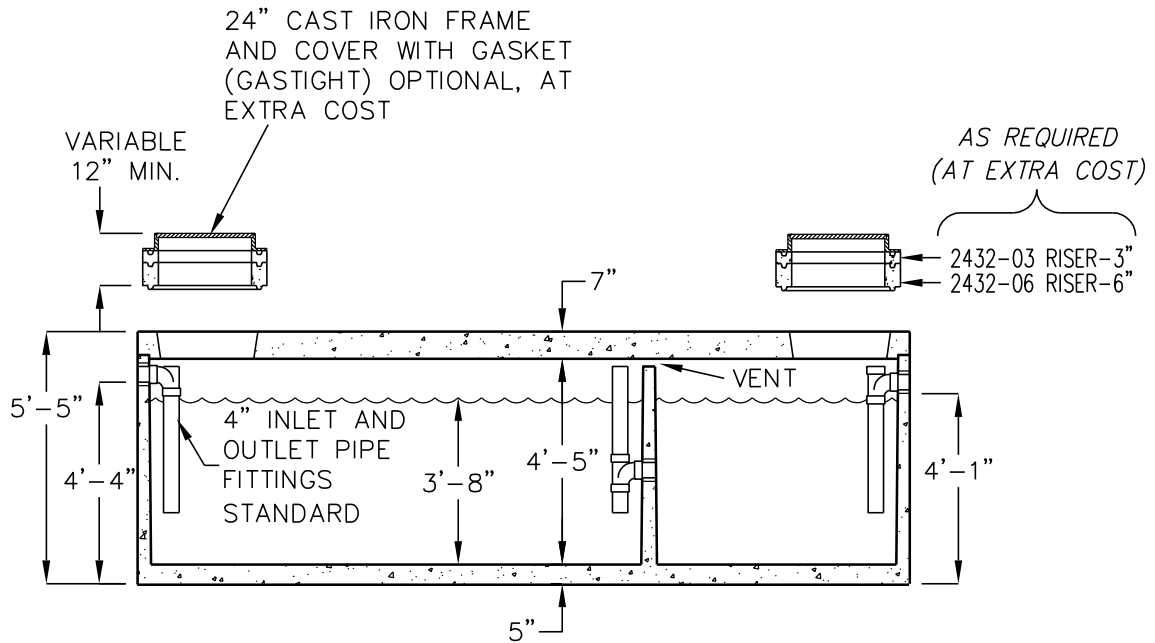
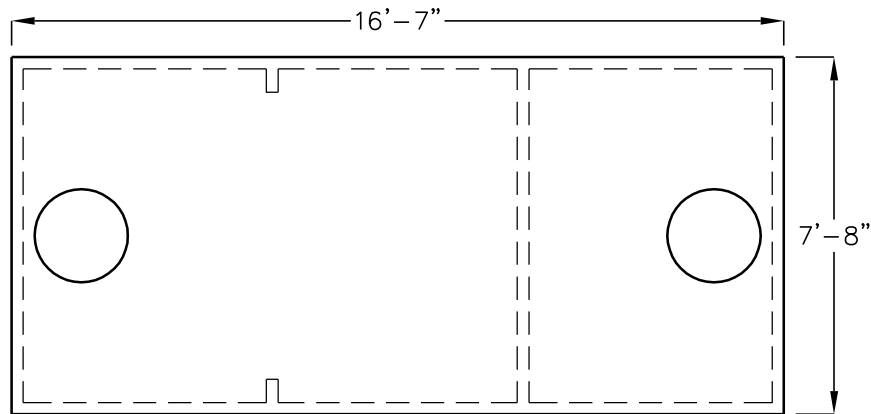


3000 GALLON LOW PROFILE GREASE INTERCEPTOR

MODEL JP3000EE-G



SIDE VIEW (CUT AWAY)



TOP VIEW

DESIGN LOAD: H-20 TRAFFIC, 1'-5' SOIL COVER.

FOR COMPLETE DESIGN AND PRODUCT INFORMATION
CONTACT JENSEN PRECAST.