

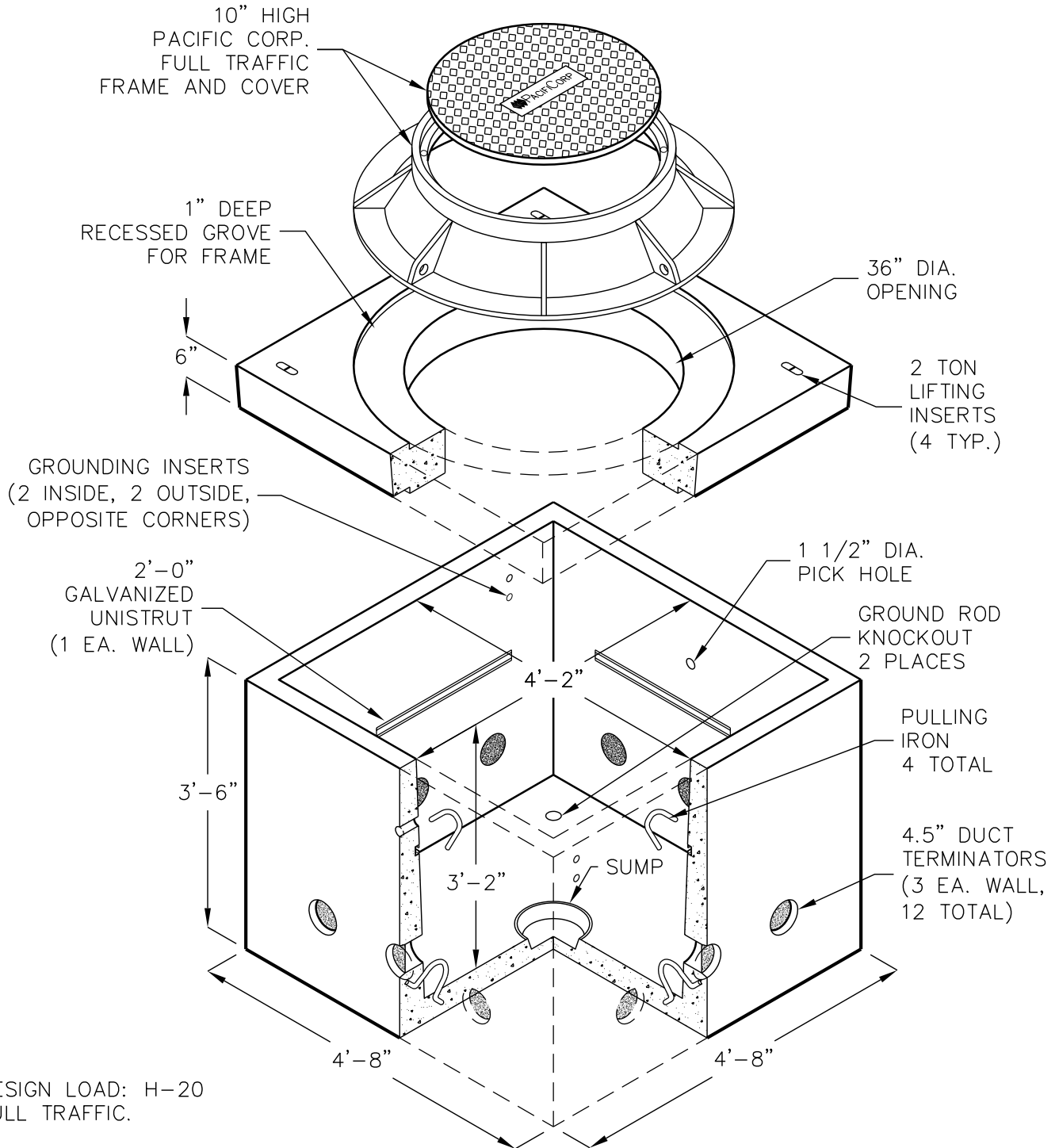
# PPL 504T BASE

W/PCORP 55-38C COVER

4'-2" X 4'-2" X 3'-2"

(INSIDE DIMENSIONS)

PPL# 1790003



DESIGN LOAD: H-20  
FULL TRAFFIC.

FOR COMPLETE DESIGN  
AND PRODUCT INFORMATION  
CONTACT JENSEN PRECAST.