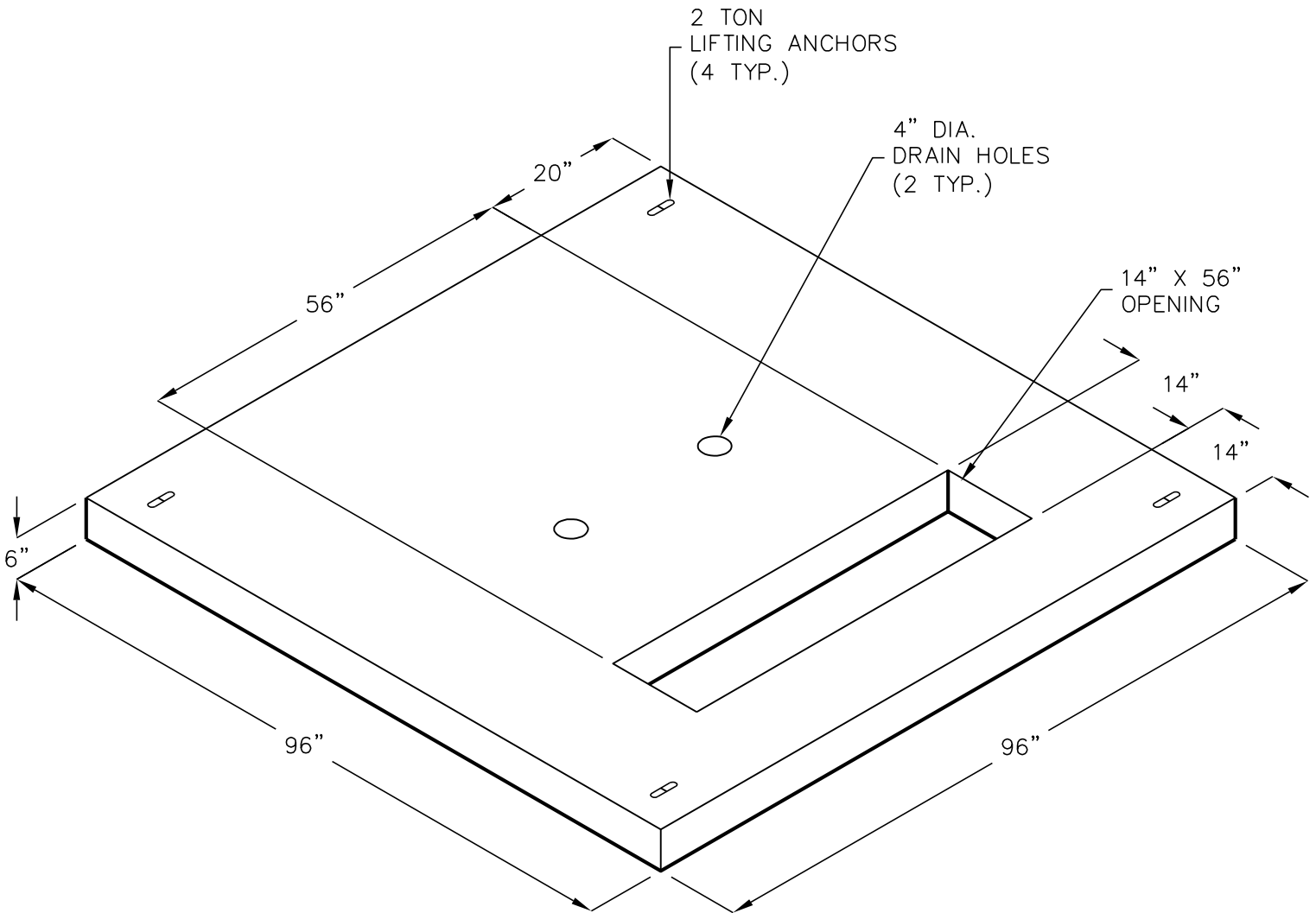




9696-1456 TRANSFORMER PAD

THREE PHASE 1,500 KVA



FOR COMPLETE DESIGN
AND PRODUCT INFORMATION
CONTACT JENSEN PRECAST.