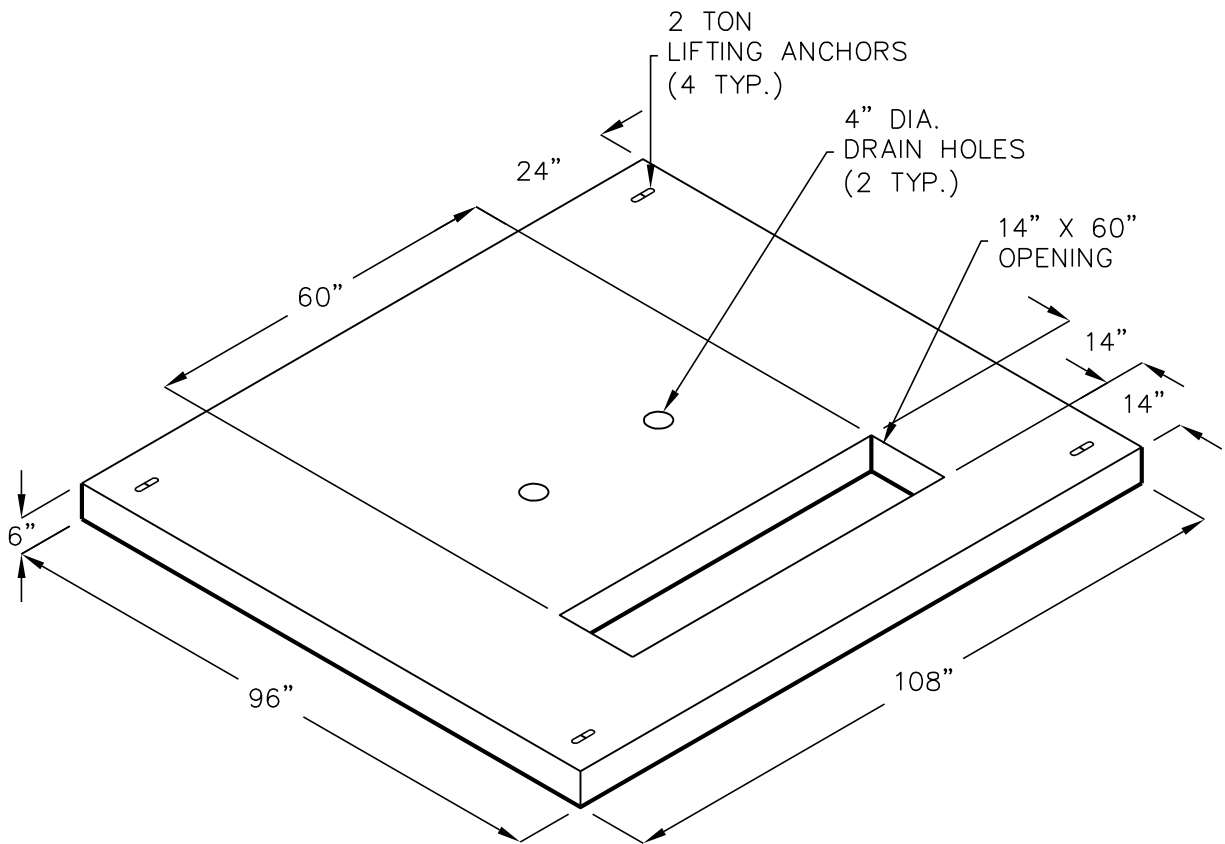




96108-1460 TRANSFORMER PAD THREE PHASE 2,000-2,500 KVA



FOR COMPLETE DESIGN
AND PRODUCT INFORMATION
CONTACT JENSEN PRECAST.