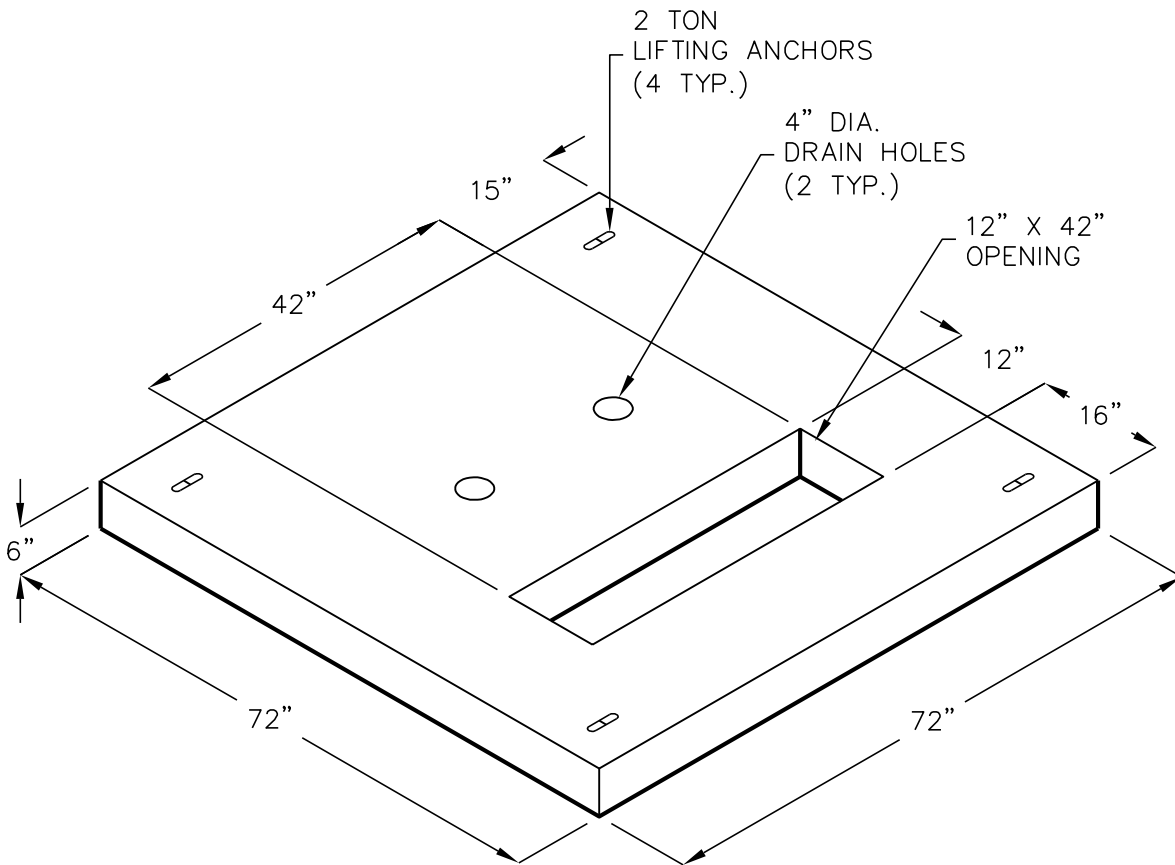




7272-1242 TRANSFORMER PAD

THREE PHASE 300-500 KVA



FOR COMPLETE DESIGN
AND PRODUCT INFORMATION
CONTACT JENSEN PRECAST.