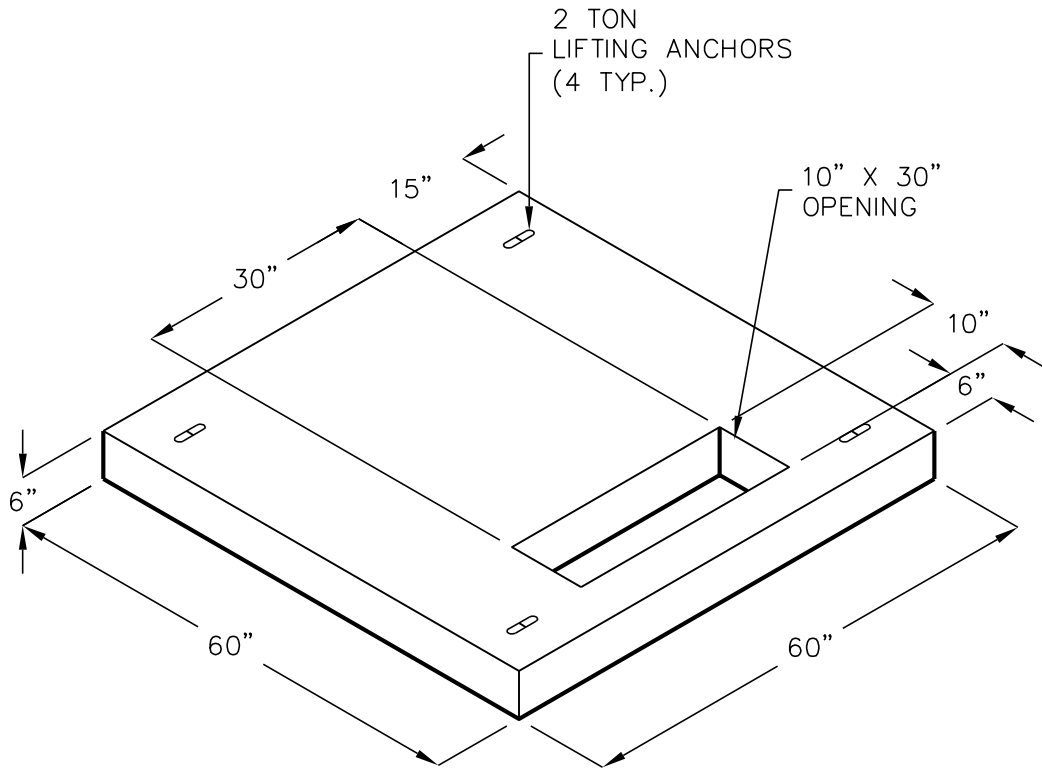




# 6060-1033 METERING PAD

PRIMARY 200 Amp 15KV



FOR COMPLETE DESIGN  
AND PRODUCT INFORMATION  
CONTACT JENSEN PRECAST.