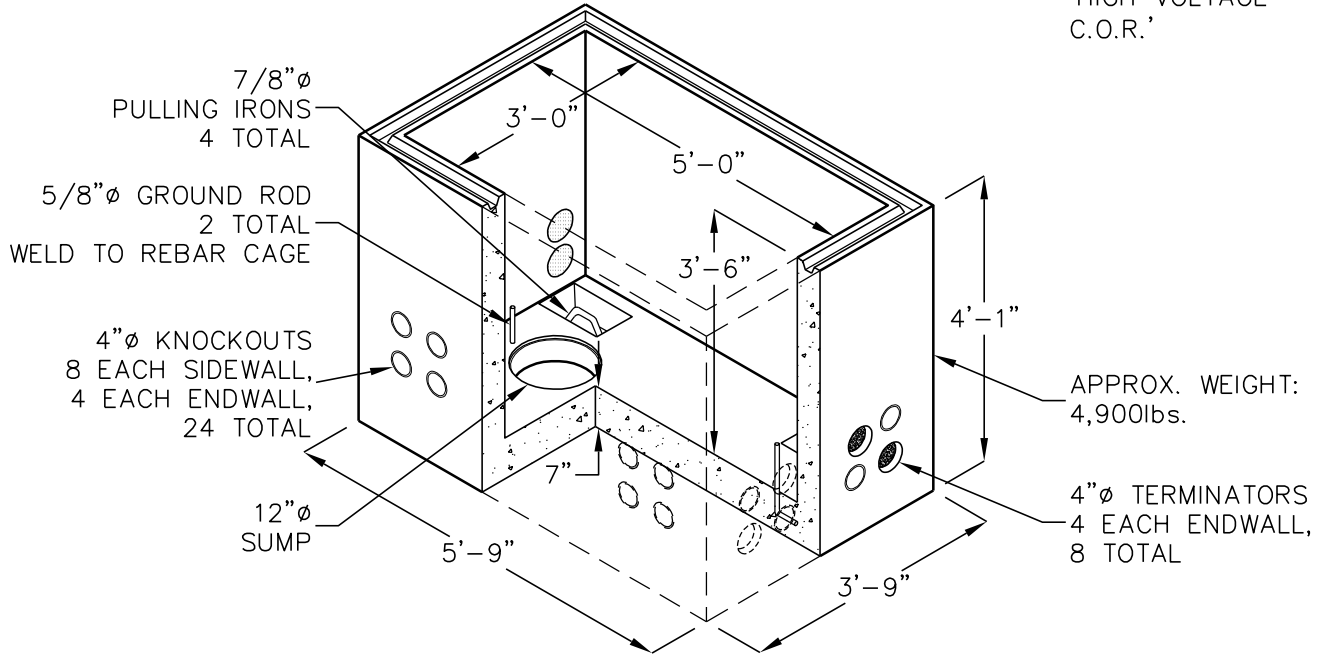
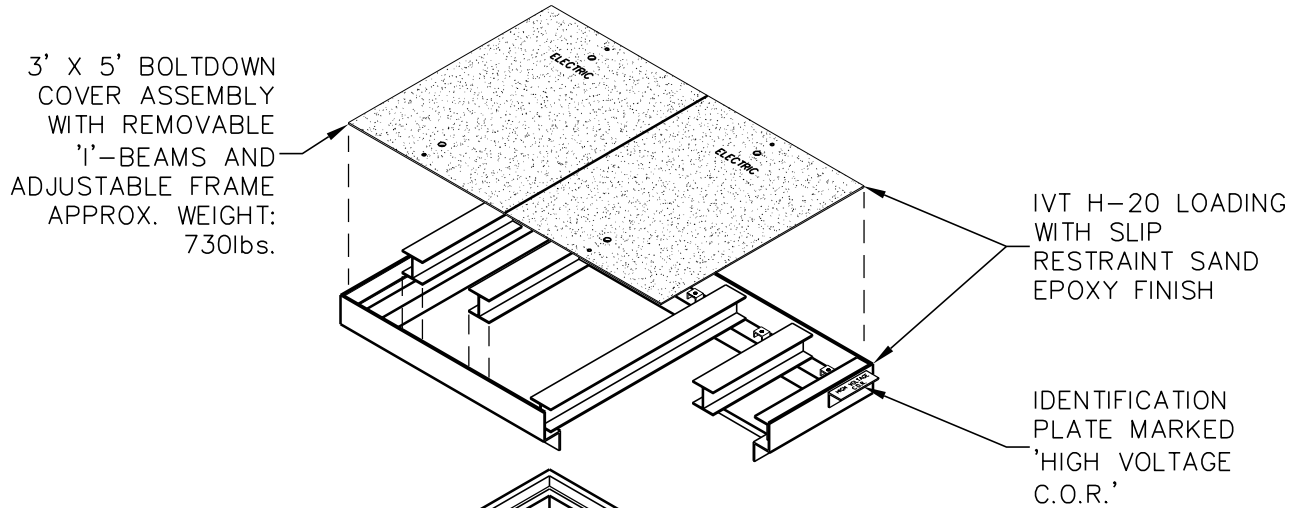


CITY OF REDDING

3' X 5' PRIMARY SPLICE BOX 3'-0" X 5'-0" X 3'-6" (INSIDE DIMENSIONS)



DESIGN LOAD: H-20 TRAFFIC.
WATER TABLE 2'-6" BELOW GRADE.

FOR COMPLETE DESIGN AND PRODUCT INFORMATION CONTACT JENSEN PRECAST.

OPTIONAL RISERS		
MODEL NO.	A	WEIGHT
RS366006	6"	419 LBS.
RS366012	12"	834 LBS.

