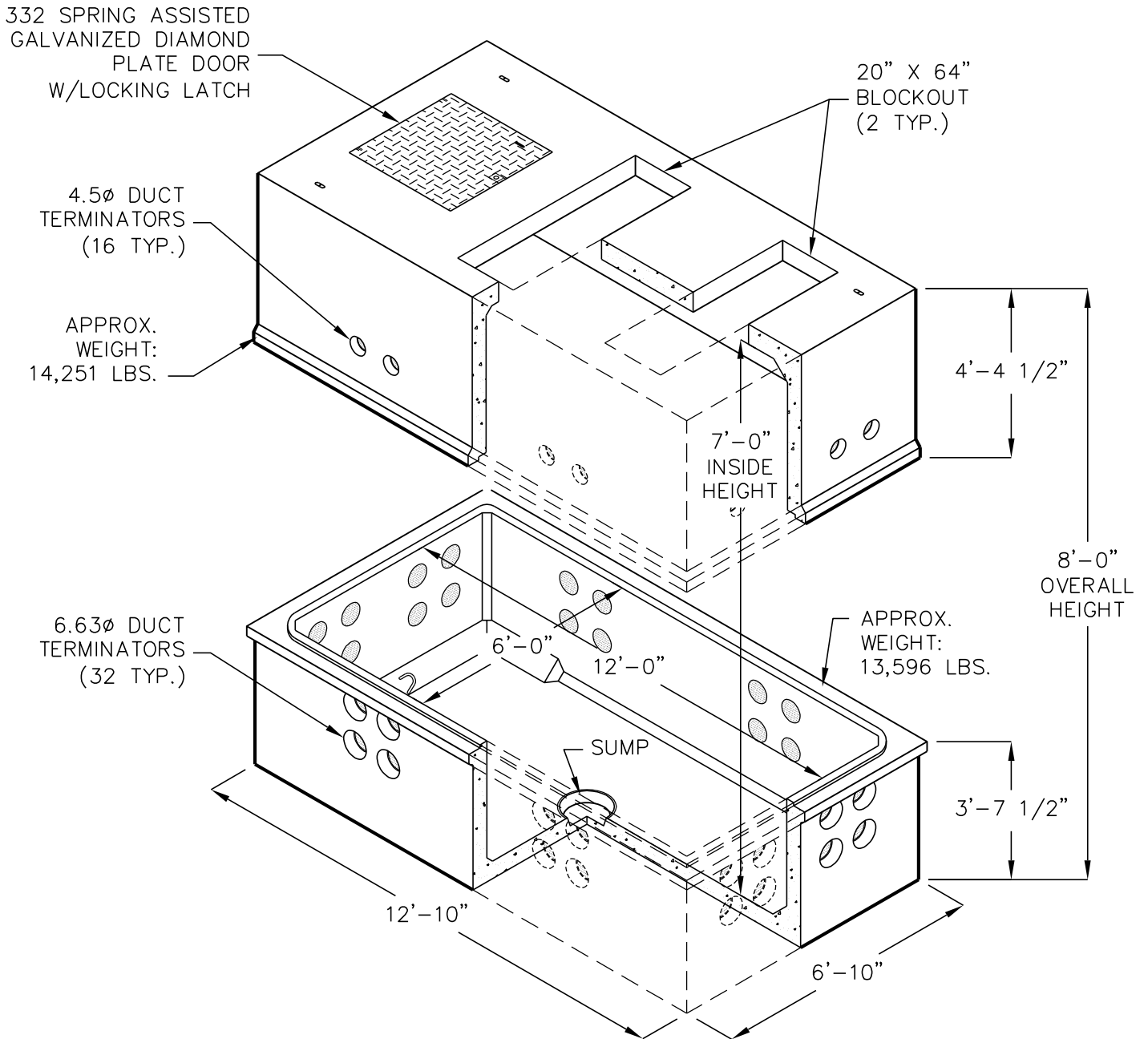


# CEC 612-7

6' X 12' X 7'  
(INSIDE DIMENSIONS)



DESIGN LOAD: H-20  
INCIDENTAL TRAFFIC

FOR COMPLETE DESIGN  
AND PRODUCT INFORMATION  
CONTACT JENSEN PRECAST.