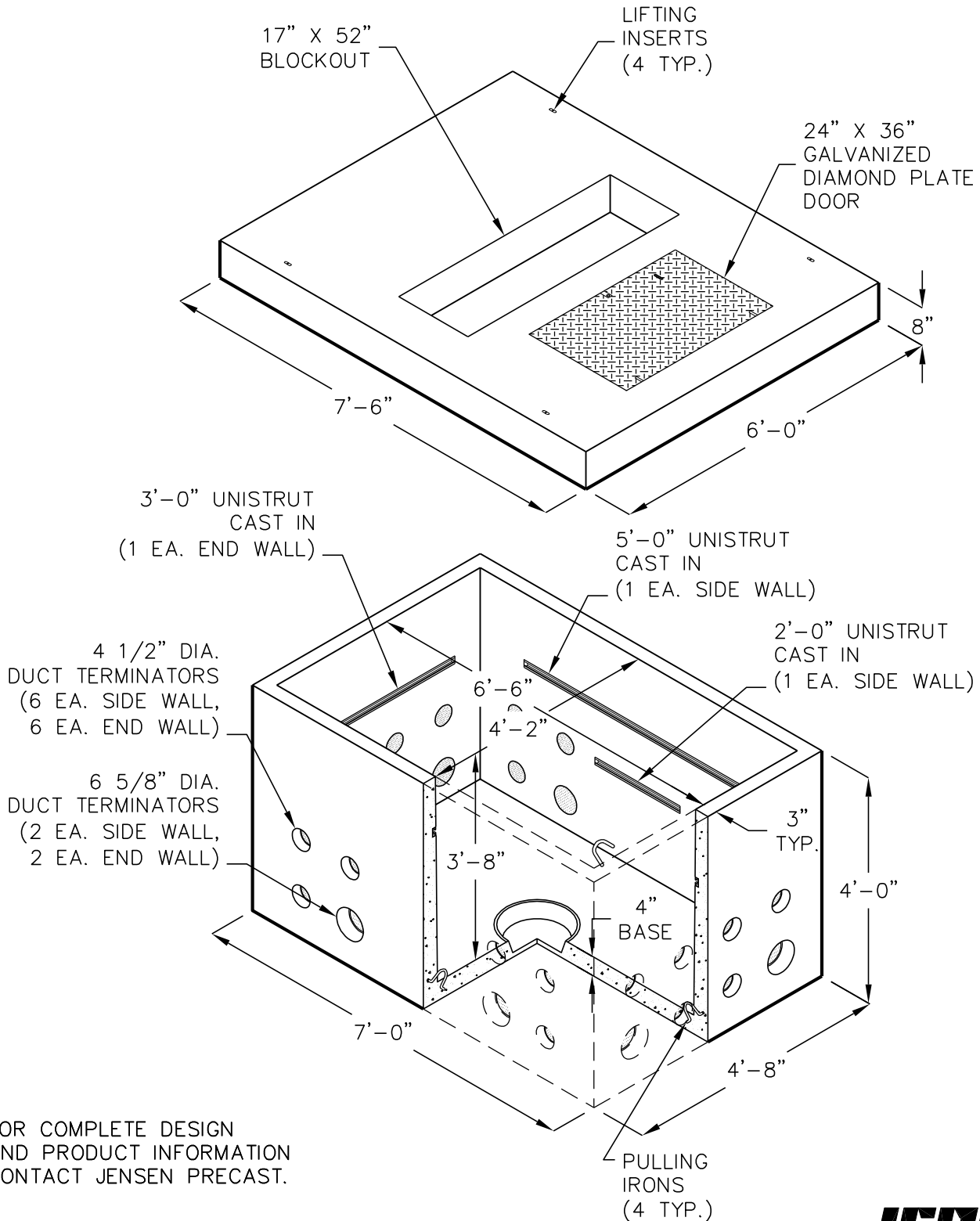


# CEC 575 BASE W/7290 COVER SLAB

4'-2" X 6'-6" X 3'-8"  
(INSIDE DIMENSIONS)

MEETS CEC SPECS.



FOR COMPLETE DESIGN  
AND PRODUCT INFORMATION  
CONTACT JENSEN PRECAST.