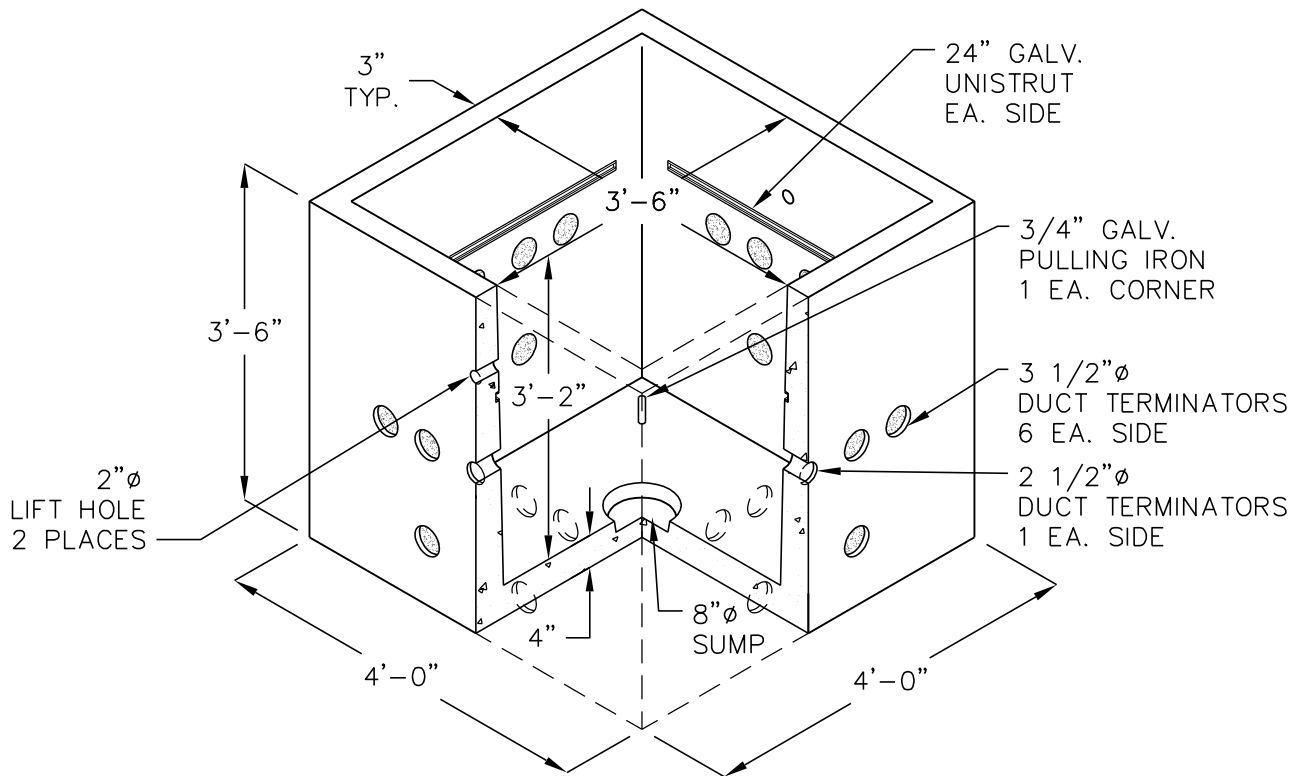


# CEC 444 BASE

3'-6" X 3'-6" X 3'-2"  
(INSIDE DIMENSIONS)

MEETS CEC  
SPECIFICATIONS



DESIGN LOAD: H-20

FOR COMPLETE DESIGN  
AND PRODUCT INFORMATION  
CONTACT JENSEN PRECAST.