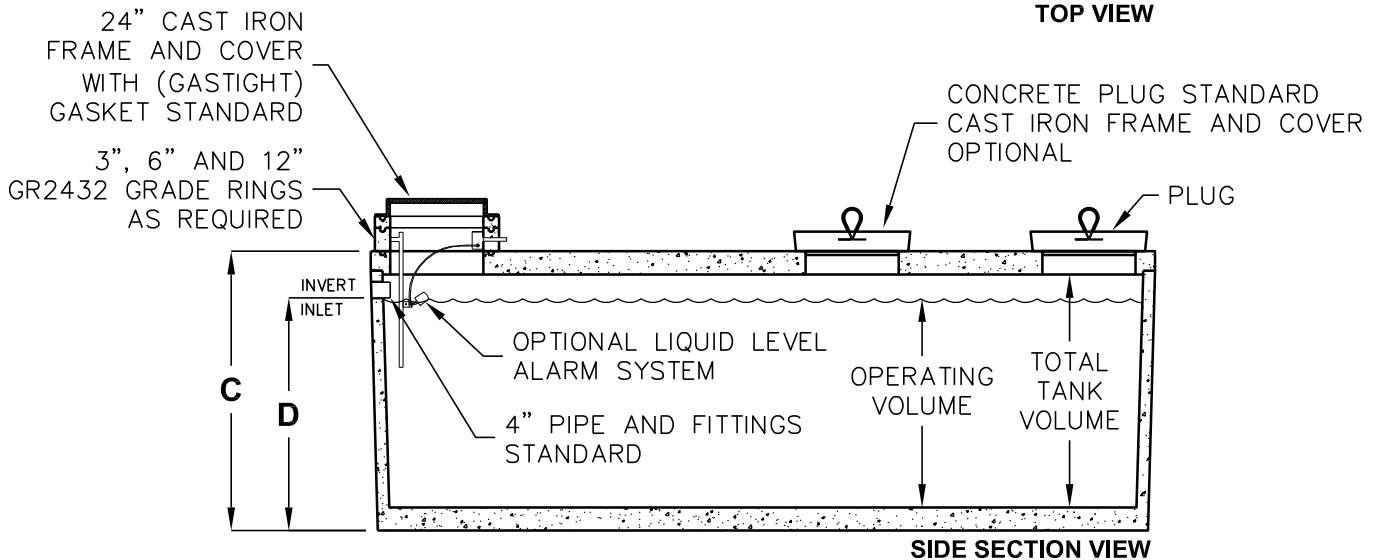
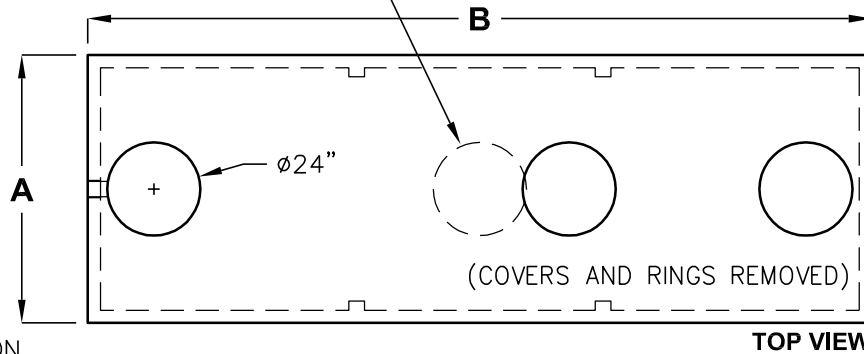


750-5000 GALLON HOLDING TANKS

TRAFFIC RATED

OPENING CENTERED ON TANKS
LESS THAN 2000 GALLONS



MODEL NUMBER	OPERATING VOLUME (GALLONS)	TOTAL VOLUME (GALLONS)	DIM A	DIM B	DIM C	DIM D	MINIMUM EXCAVATION WIDTH	MINIMUM EXCAVATION LENGTH	DEPTH OF BURY
HP750-EPP	750	924	4'-3"	8'-1"	6'-3"	5'-0"	5'-3"	9'-1"	1' TO 6'
HP1000-EPP	1000	1240	5'-4"	8'-2"	6'-3"	5'-0"	6'-4"	9'-2"	1' TO 6'
HP1200-EPP	1200	1485	6'-0"	8'-6"	6'-6"	5'-0"	7'-0"	9'-6"	1' TO 6'
HP1500-EPP	1500	1870	5'-10"	10'-8"	6'-3"	5'-0"	6'-10"	11'-8"	1' TO 6'
HP2000-EPP	2000	2424	4'-11"	15'-11"	6'-0"	5'-0"	5'-11"	16'-11"	1' TO 6'
HZ2500-EPP	2500	3066	5'-9"	16'-10"	6'-0"	5'-0"	6'-9"	17'-10"	1' TO 5'
HZ3000-EPP	3000	3526	5'-9"	16'-10"	6'-9"	5'-9"	6'-9"	17'-10"	1' TO 5'
HZ4000-EPP	4000	4851	7'-8"	16'-7"	6'-9"	5'-6"	8'-8"	17'-7"	1' TO 5'
HZ5000-EPP	5000	5750	7'-8"	16'-7"	7'-11"	6'-9"	8'-8"	17'-7"	1' TO 4'

NOT RECOMMENDED FOR POTABLE WATER OR ABOVE GROUND USE.

DESIGN LOAD: H-20 TRAFFIC WITH DRY SOIL CONDITIONS (WATER LEVEL BELOW TANK.)

SUITABLE SUB-BASE BEDDED WITH GRANULAR MATERIAL SHALL BE PREPARED TO HANDLE ANTICIPATED LOADS.

FOR COMPLETE DESIGN AND PRODUCT INFORMATION
CONTACT JENSEN PRECAST.

2/1/08
HP750-HZ5000_TRF_NOCAL_A.dwg
© 2008 Jensen Precast

Jensen Precast reserves the right to make changes to product design and/or dimensions without notice. Please contact Jensen Precast whenever necessary for confirmation or advice on product design.

JENSEN
PRECAST