

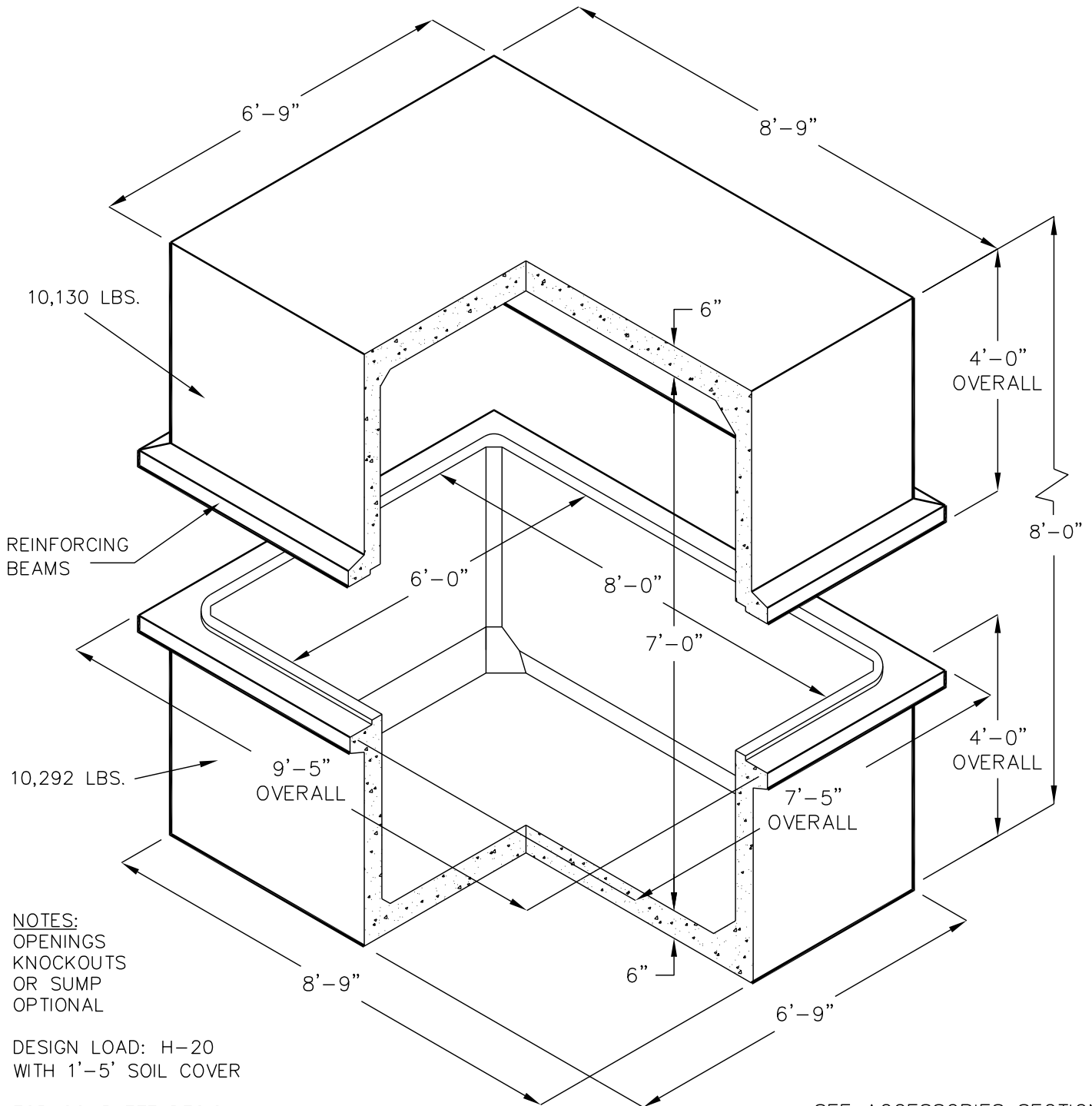
# MODEL 687U-7

DESIGN LOAD: FULL TRAFFIC

INSIDE VOLUME: 336 CU. FT./2,513 GALLONS

DETAIL ACCESS, OPENINGS  
HARDWARE, ETC. ON  
BUTTERFLY DRAWING

6'-0" INSIDE WIDTH x 8'-0" INSIDE LENGTH x 7'-0" INSIDE HEIGHT



NOTES:  
OPENINGS  
KNOCKOUTS  
OR SUMP  
OPTIONAL

DESIGN LOAD: H-20  
WITH 1'-5' SOIL COVER

FOR COMPLETE DESIGN  
AND PRODUCT INFORMATION,  
CONTACT JENSEN PRECAST.

SEE ACCESSORIES SECTION  
FOR ACCESS OPENINGS AND  
HARDWARE APPLICATIONS.