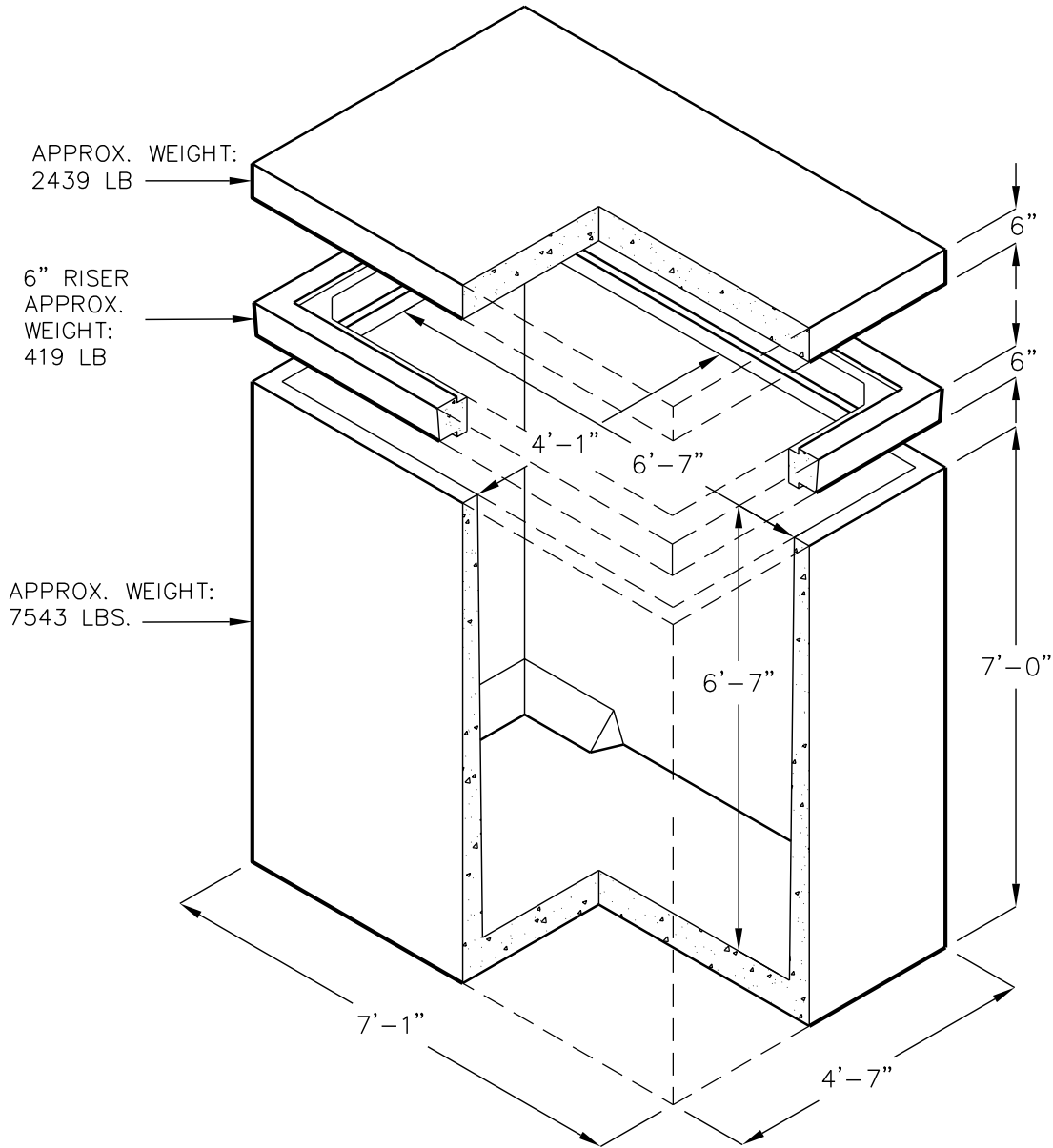


MODEL 577-U



DESIGN LOAD; H-20
FULL TRAFFIC

FOR COMPLETE DESIGN
AND PRODUCT INFORMATION
CONTACT JENSEN PRECAST.

INSIDE VOLUME	
177 CU. FT.	1310 GAL.

SEE ACCESSORIES SECTION
FOR ACCESS OPENINGS AND
HARDWARE APPLICATIONS.