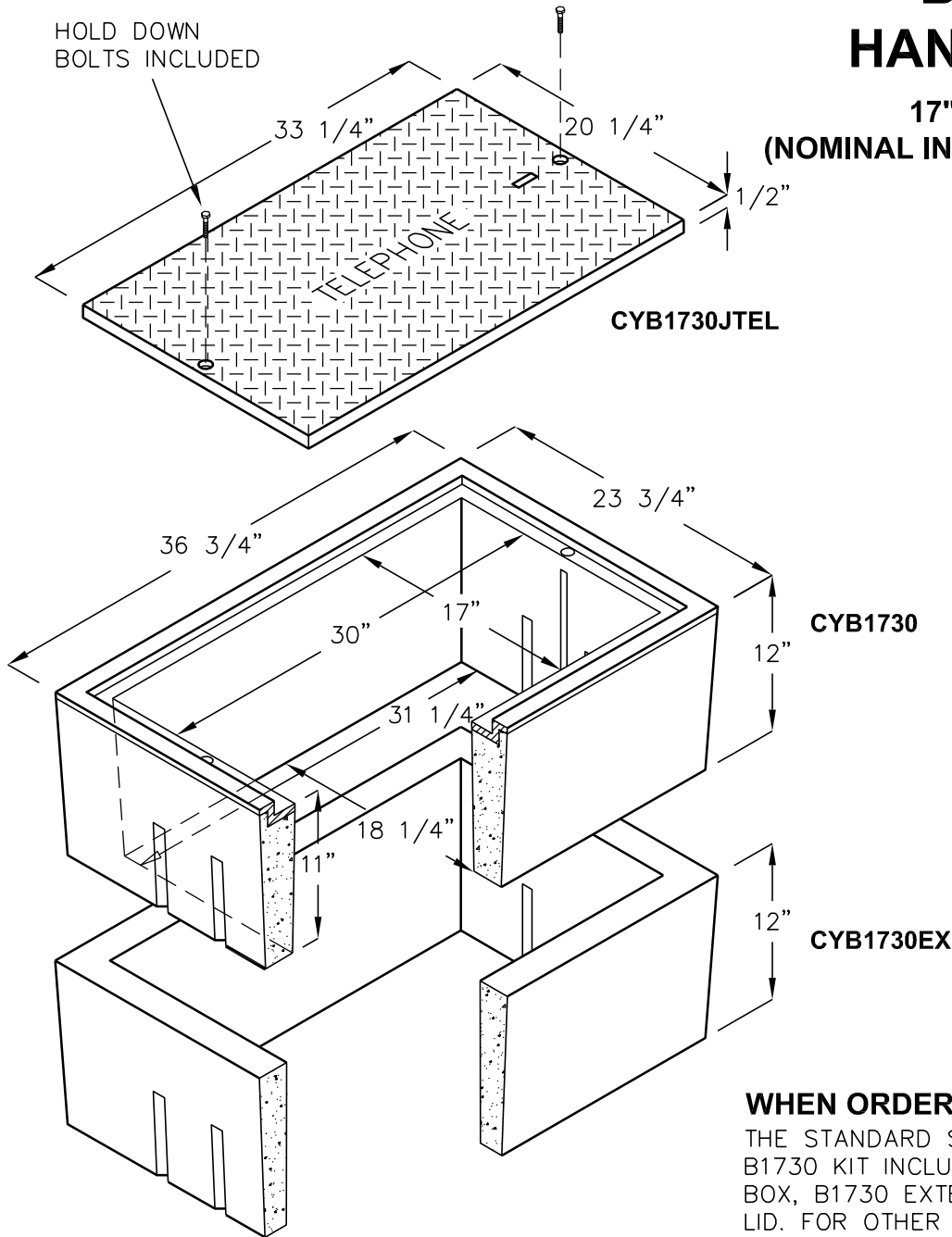


B1730 HANDHOLE

17"x30"x11"
(NOMINAL INSIDE DIMENSIONS)



WHEN ORDERING:

THE STANDARD SBC
B1730 KIT INCLUDES THE B1730
BOX, B1730 EXTENSION, AND B1730
LID. FOR OTHER COMPONENTS,
ORDER BY CATALOG NUMBER.

* STANDARD B1730 KIT (SHOWN ABOVE)

DESIGN LOAD: H-20 FULL TRAFFIC

CATALOG NUMBER	PRODUCT	DESCRIPTION	APPROX. WT. (LBS.)
* CYB1730	BOX	REINFORCED CONCRETE	318
* CYB1730JTEL	LID	STEEL CHECKER PLATE W/HOLD DOWN BOLTS	111
* CYB1730EX	EXTENSION	12" HIGH REINFORCED CONCRETE	244