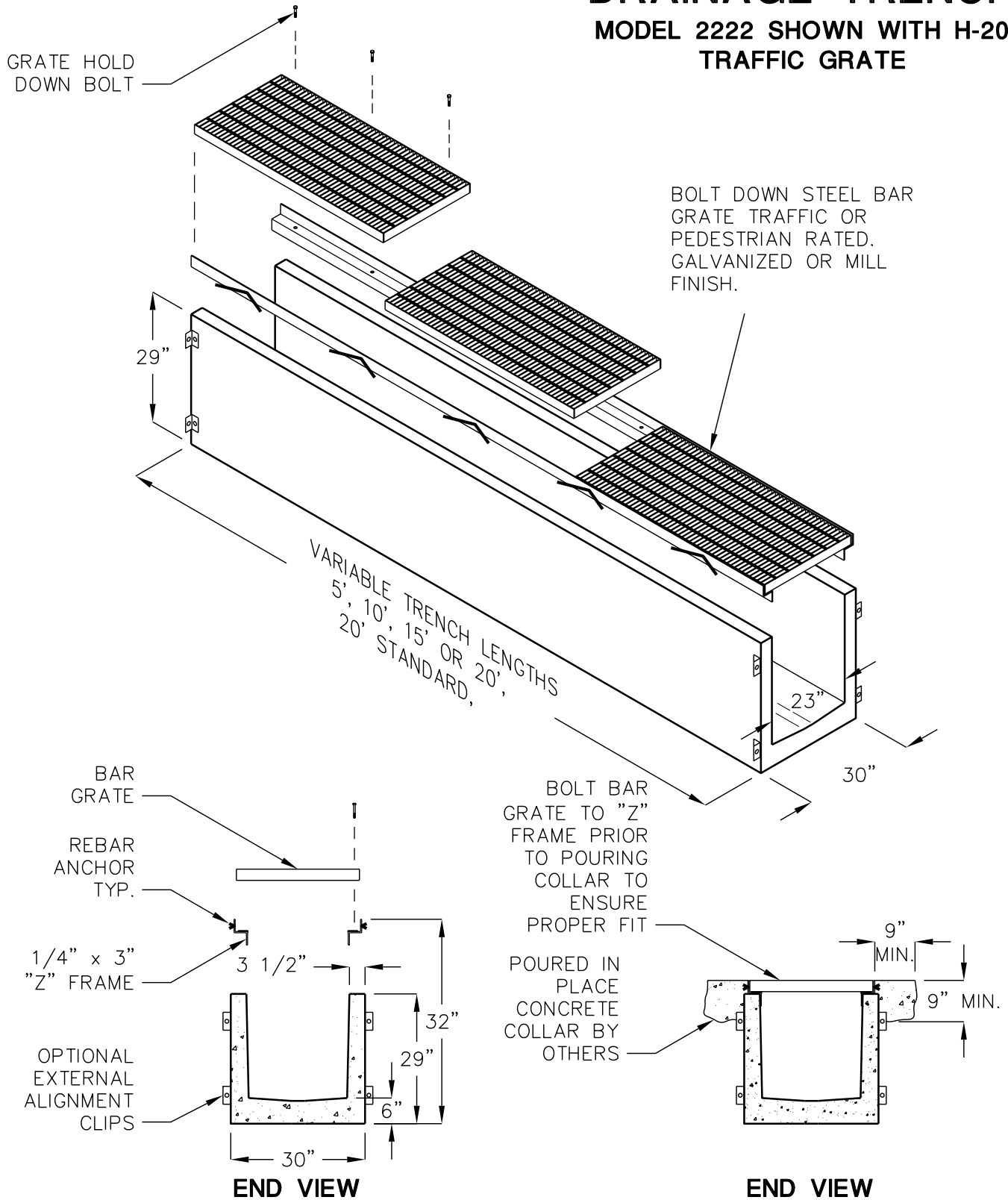


DRAINAGE TRENCH

MODEL 2222 SHOWN WITH H-20 TRAFFIC GRATE



FOR COMPLETE DESIGN
AND PRODUCT INFORMATION
CONTACT JENSEN PRECAST.