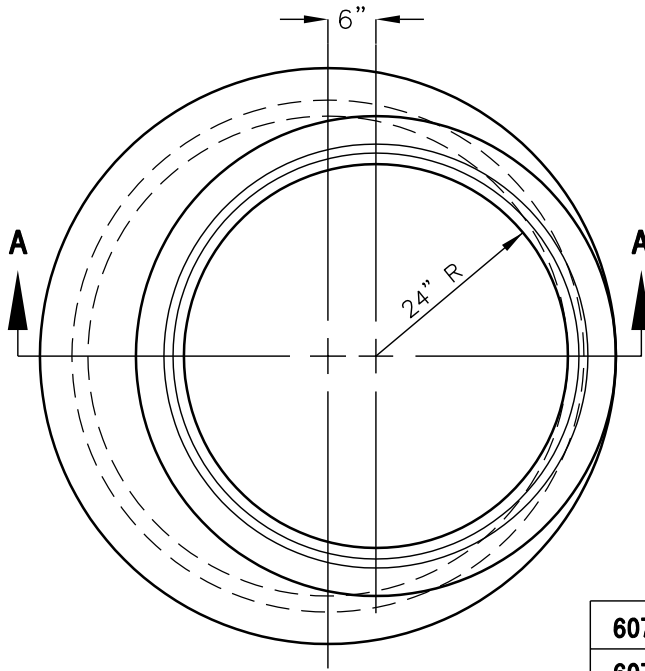
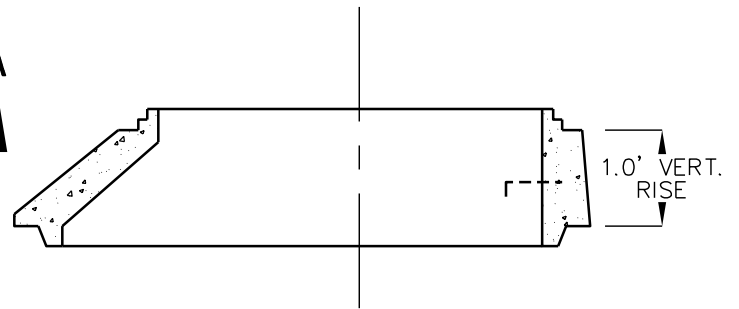


60" I.D. x 6" WALL 12" ECCENTRIC CONE



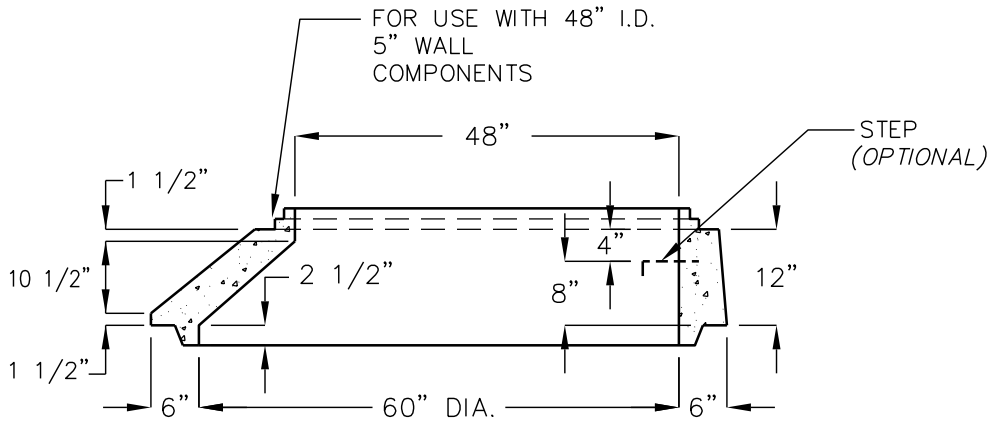
PLAN VIEW



SECTION A-A

APPROX. WT.	
6072EC48-12 ECC CONE	1750 LBS.
6072EC48-12S ECC CONE W/STEP HOLES	1750 LBS.

CONFORMS TO CURRENT SPECIFICATIONS
ASTM C-478 AND AASHTO M199.



SIDE VIEW

FOR COMPLETE DESIGN
AND PRODUCT INFORMATION,
CONTACT JENSEN PRECAST.