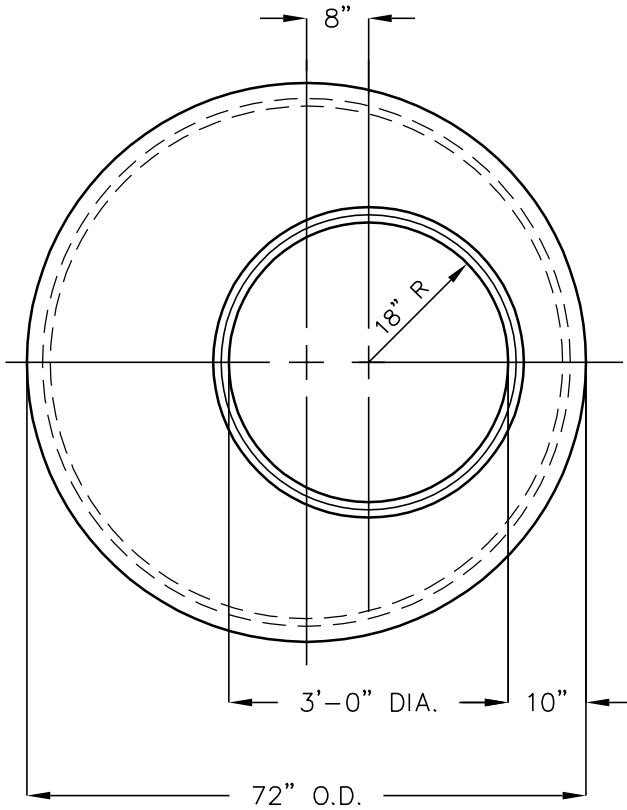
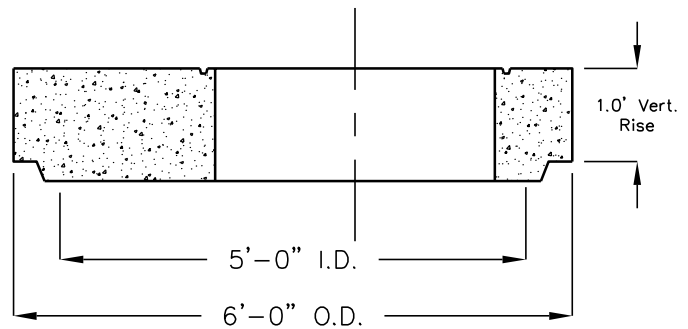


# 60" I.D. x 6" WALL FLAT TOP WITH 36" ECCENTRIC, ACCESS OPENING



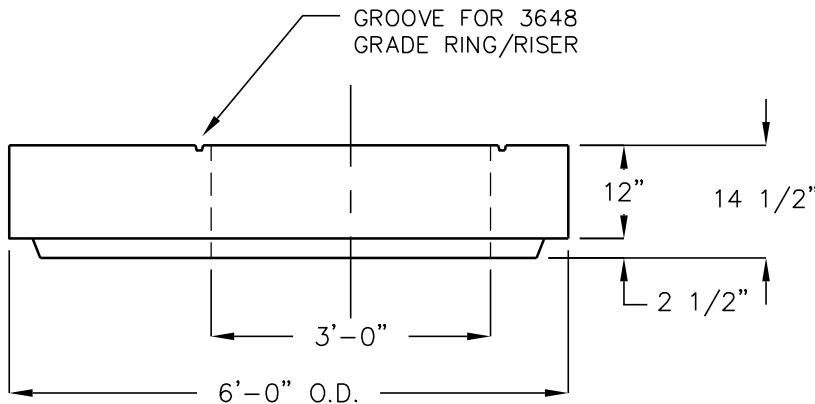
**TOP VIEW**



**SECTION**

	APPROX. WT.
<b>6072FT-36E ECC FLAT TOP</b>	<b>3800 LBS.</b>

CONFORMS TO ASTM SPECS C-478  
and AASHTO No. M199.



**SIDE VIEW**

FLAT TOPS AND BASE SLABS  
ARE DESIGNED FOR AASHTO  
HS-20 WHEEL LOADING.

FOR COMPLETE DESIGN,  
AND PRODUCT INFORMATION  
CONTACT JENSEN PRECAST.