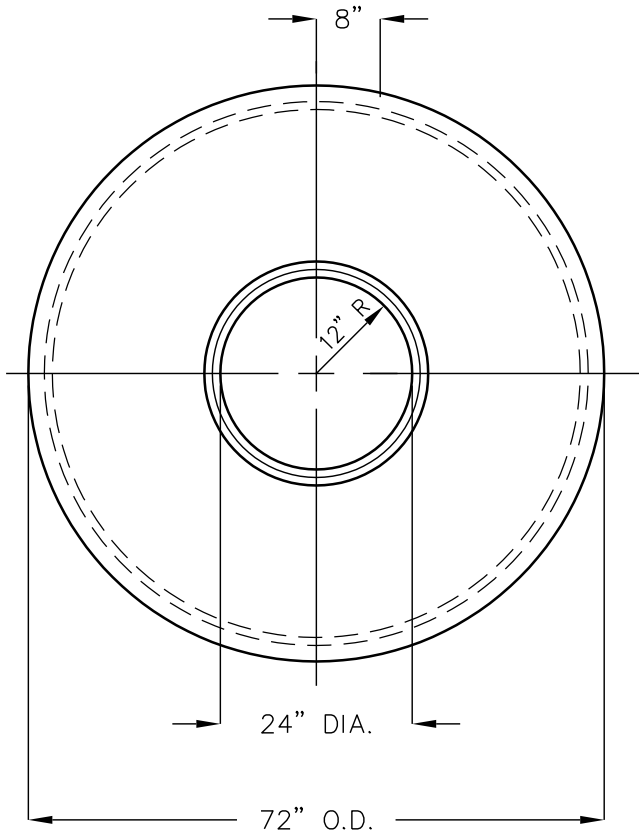
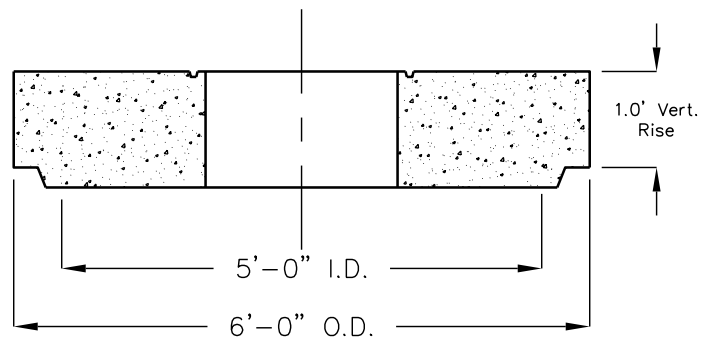


60" I.D. x 6" WALL FLAT TOP WITH 24" CONCENTRIC, ACCESS OPENING



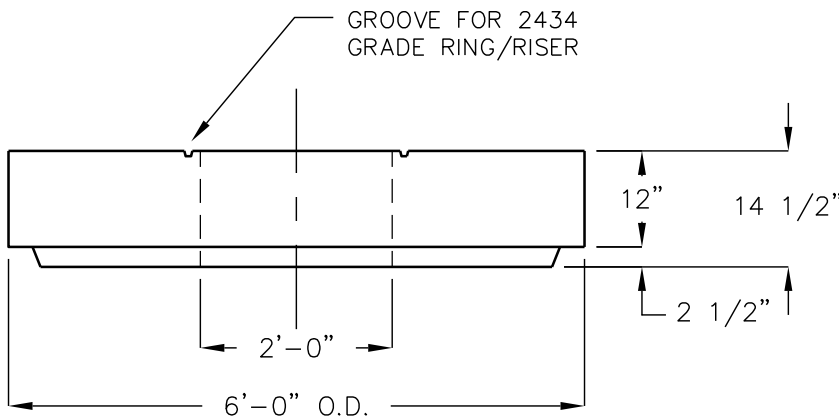
TOP VIEW



SECTION

| | APPROX. WT. |
|-------------------------|-------------|
| 6072FT-36E CON FLAT TOP | 4500 LBS. |

CONFORMS TO ASTM SPECS C-478
and AASHTO No. M199.



SIDE VIEW

FLAT TOPS AND BASE SLABS
ARE DESIGNED FOR AASHTO
HS-20 WHEEL LOADING.

FOR COMPLETE DESIGN,
AND PRODUCT INFORMATION
CONTACT JENSEN PRECAST.