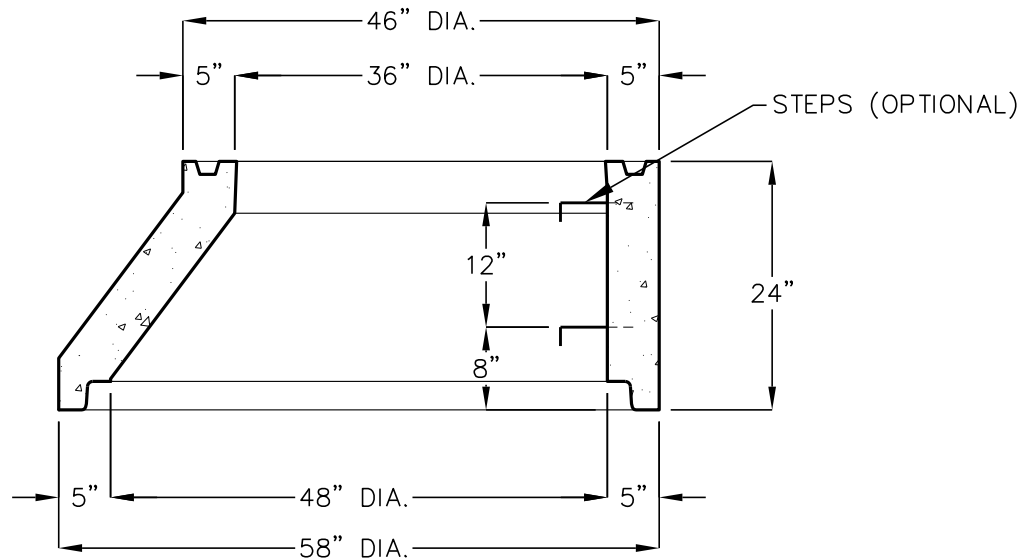
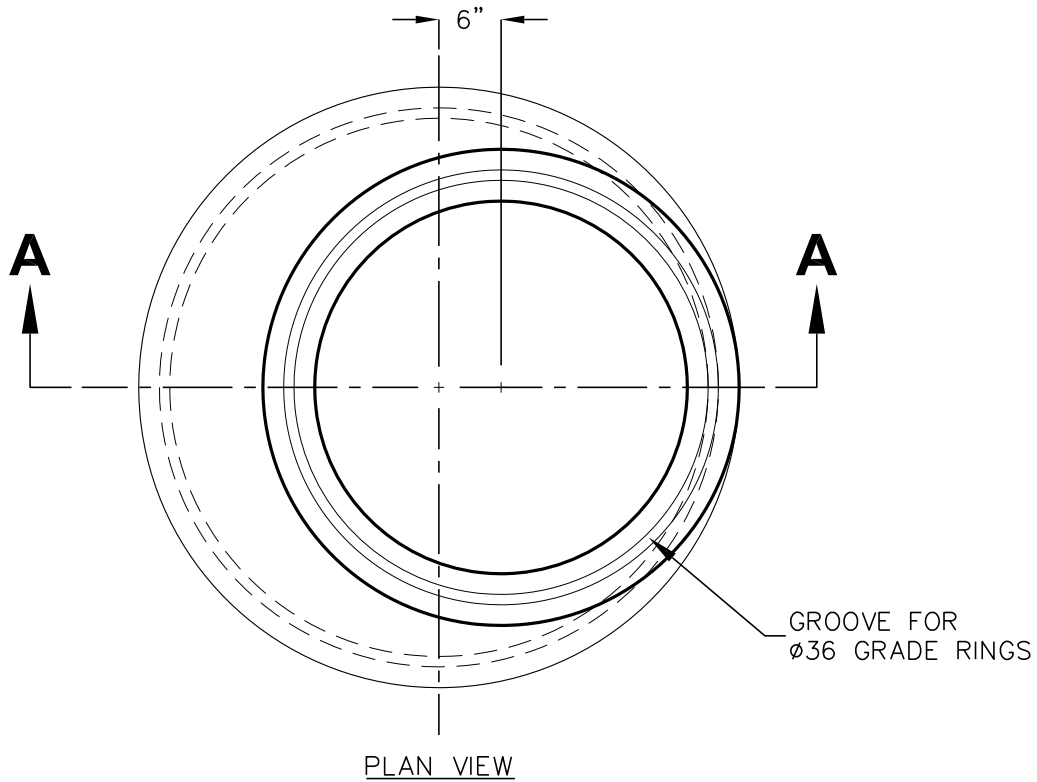


24" ECCENTRIC CONE

48" I.D. x 5" WALL

4858x36ECCx24"



CONFORMS TO ASTM C-478 AND AASHTO NO. M199.

FOR COMPLETE DESIGN AND PRODUCT INFORMATION,
CONTACT JENSEN PRECAST.