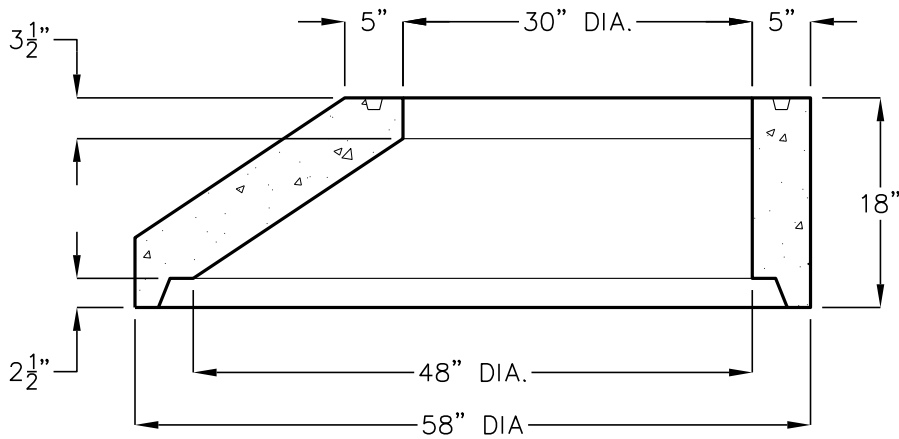
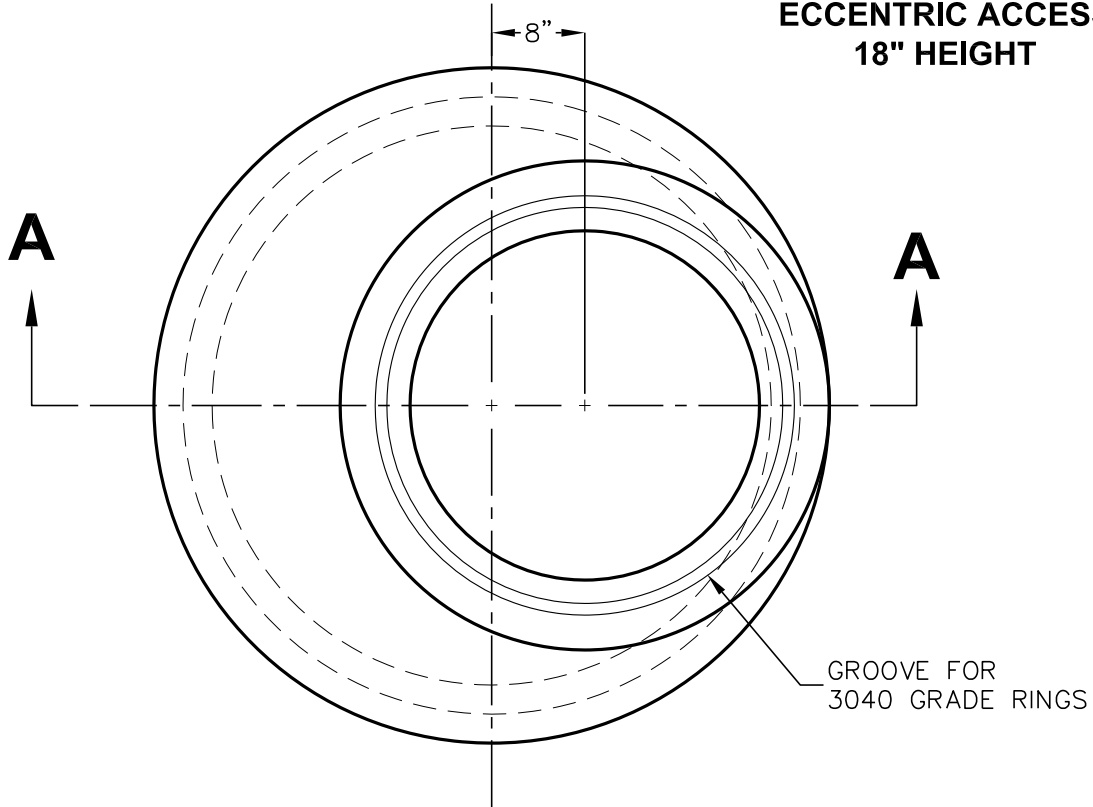


REDUCING CONE

48" TO 30"
ECCENTRIC ACCESS
18" HEIGHT



SECTION A-A

MANHOLE COMPONENTS CONFORM TO CURRENT SPECIFICATIONS, ASTM C-478 AND ASSHTO M199.

FOR COMPLETE DESIGN AND PRODUCT INFORMATION CONTACT JENSEN PRECAST.