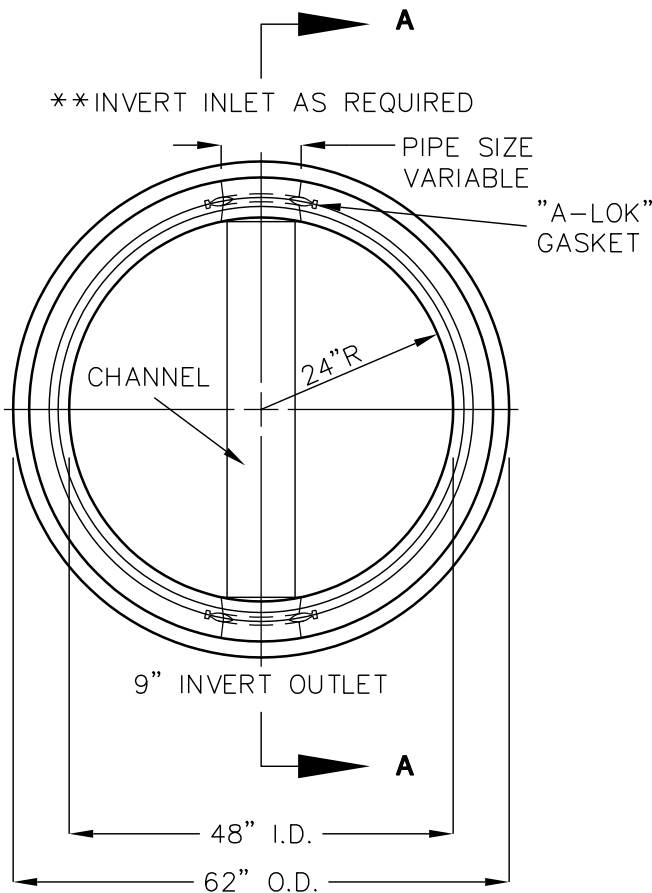
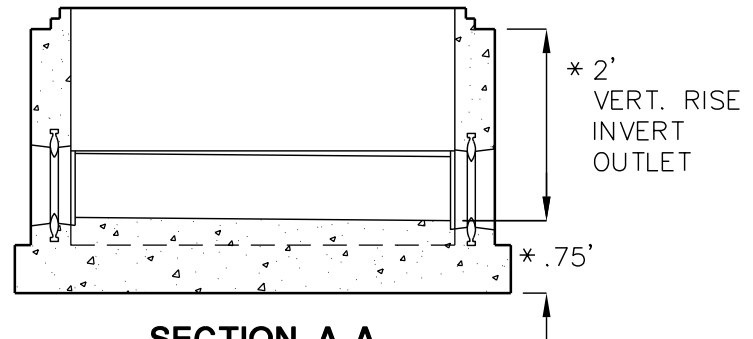


# 48" I.D., 2 WAY, 0°-180° CHANNEL TYPICAL BASE

(BASE WITH 8" DIA. PIPE SHOWN)



**TOP VIEW**



**SECTION A-A**

CONFORMS TO CURRENT SPECIFICATION  
ASTM C-478 AND AASHTO NO.  
M199-93. FLAT TOPS AND BASE  
SLABS ARE DESIGNED FOR AASHTO  
HS-20 WHEEL LOADING.

EXAMPLE SHOWN: 48"Ø 2 WAY 180°, 8"  
MANHOLE BASE IS USED WITH 8" I.D.  
SDR 35 PVC OR OTHER PIPES WITH  
8.50 O.D. ±1/4". PIPES THAT HAVE  
O.D.'S NOT WITHIN THESE TOLERANCES  
ARE AVAILABLE ON A MADE TO ORDER  
BASIS.

## POSSIBLE VARIATIONS:

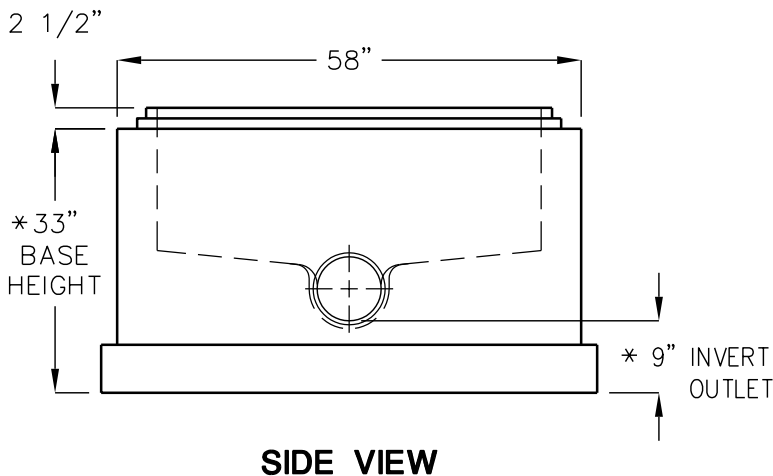
1. NUMBER OF INLETS
2. ANGLE OF INLETS
3. ELEVATION OF INLETS
4. ANGLE OF SHELF SLOPE
5. HEIGHT OF CHANNEL
6. DIAMETER OF MANHOLE
7. PIPE TO MANHOLE CONNECTOR
8. PIPE SIZE

\* DIMENSION VARIES DEPENDING UPON  
SIZE OF PIPE USED.

\* \* AS REQUIRED BY FALL:

- 0 FALL = 9" INVERT
- 1/10 FALL = 10 1/4" INVERT INLET
- 2/10 FALL = 11 1/2" INVERT INLET,  
STANDARD

SPECIFY 0" TO 6" FALL.



**SIDE VIEW**