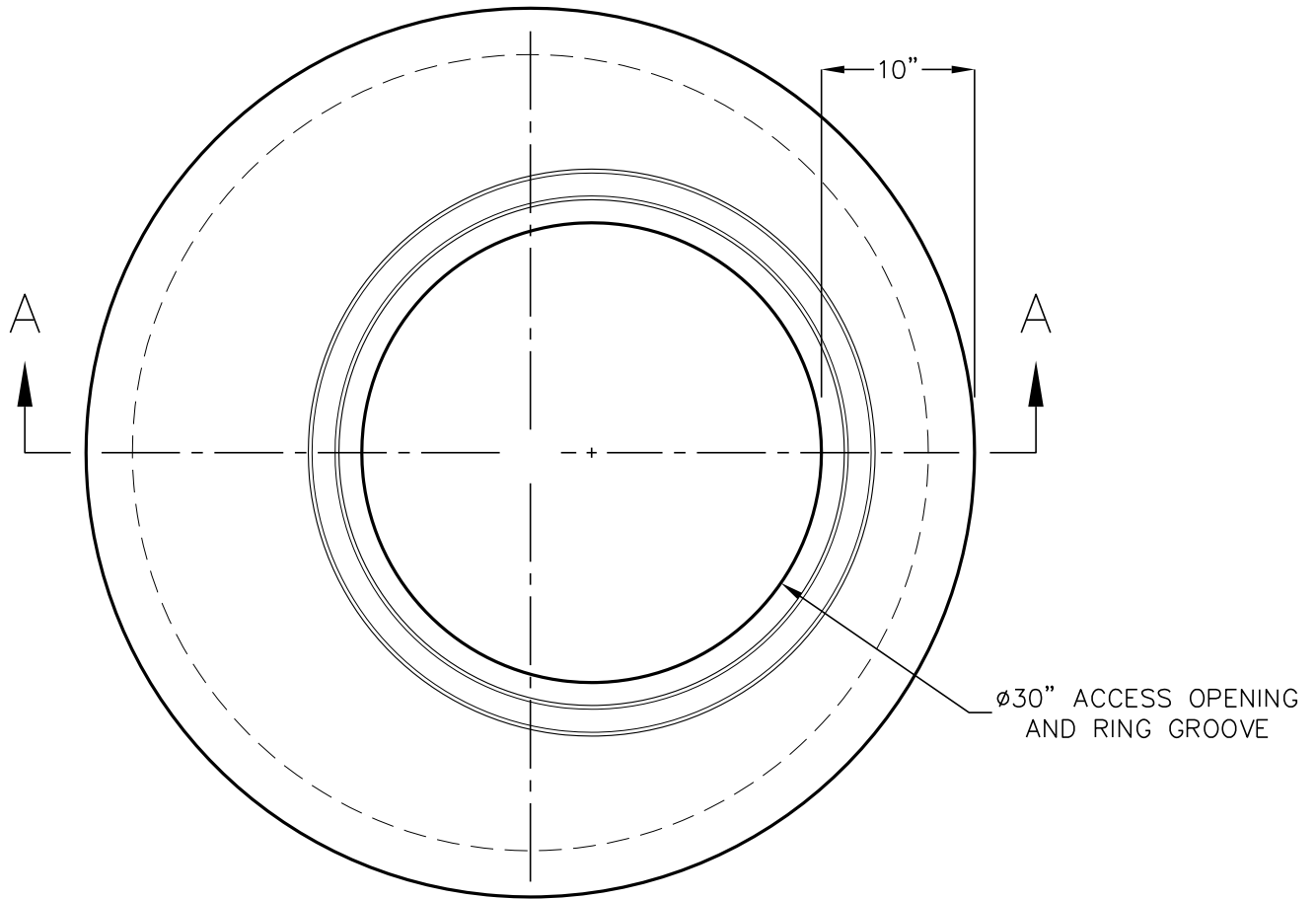


48" FLAT TOP
(FOR 48" DIA. MANHOLE MATERIAL)
30" ECCENTRIC OPENING



SECTION A-A

MANHOLE COMPONENTS CONFORM TO CURRENT SPECIFICATIONS, ASTM C-478 AND AASHTO M199.

FLAT TOPS ARE DESIGNED FOR AASHTO HS-20 WHEEL LOADING.

FOR COMPLETE DESIGN AND PRODUCT INFORMATION, CONTACT JENSEN PRECAST.