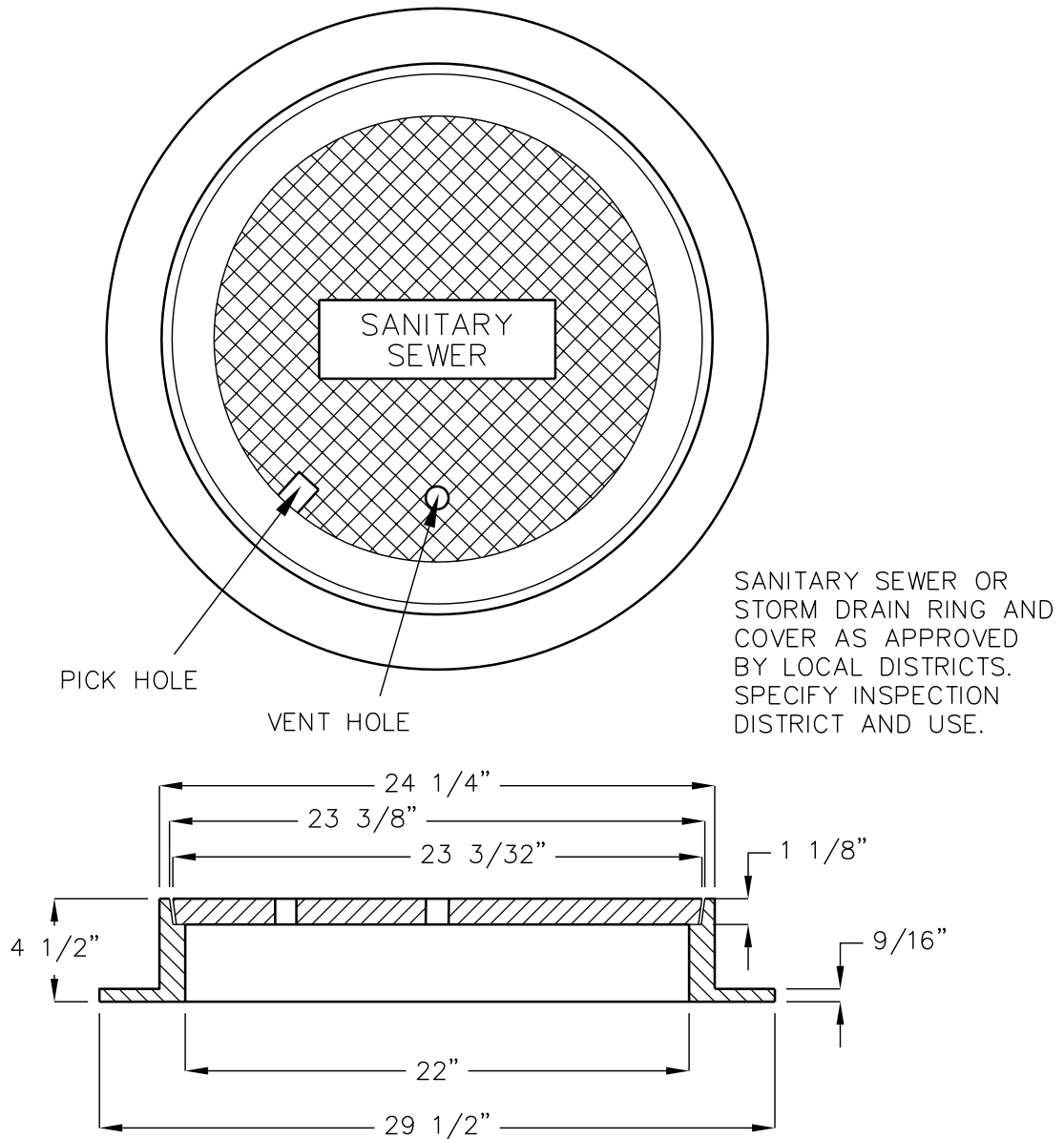


22" CLEAR OPENING RING AND COVER



GENERAL INFORMATION

- ◆ ALL MATERIALS USED IN MANUFACTURING SHALL CONFORM TO ASTM A48-30.
- ◆ FRAME & COVER BEARING SURFACES MACHINED TO ASSURE CLOSE, QUIET FIT.
- ◆ STANDARD COVER EXCEEDS H-20 WHEEL LOADING.
- ◆ STANDARD COVER MARKINGS AVAILABLE: "SANITARY SEWER", "STORM DRAIN", OR AS PER REQUIRED LETTER DESIGNATION PER GOVERNING SANITATION DISTRICT REQUIREMENTS.

FOR COMPLETE DESIGN
AND PRODUCT INFORMATION,
CONTACT JENSEN PRECAST.