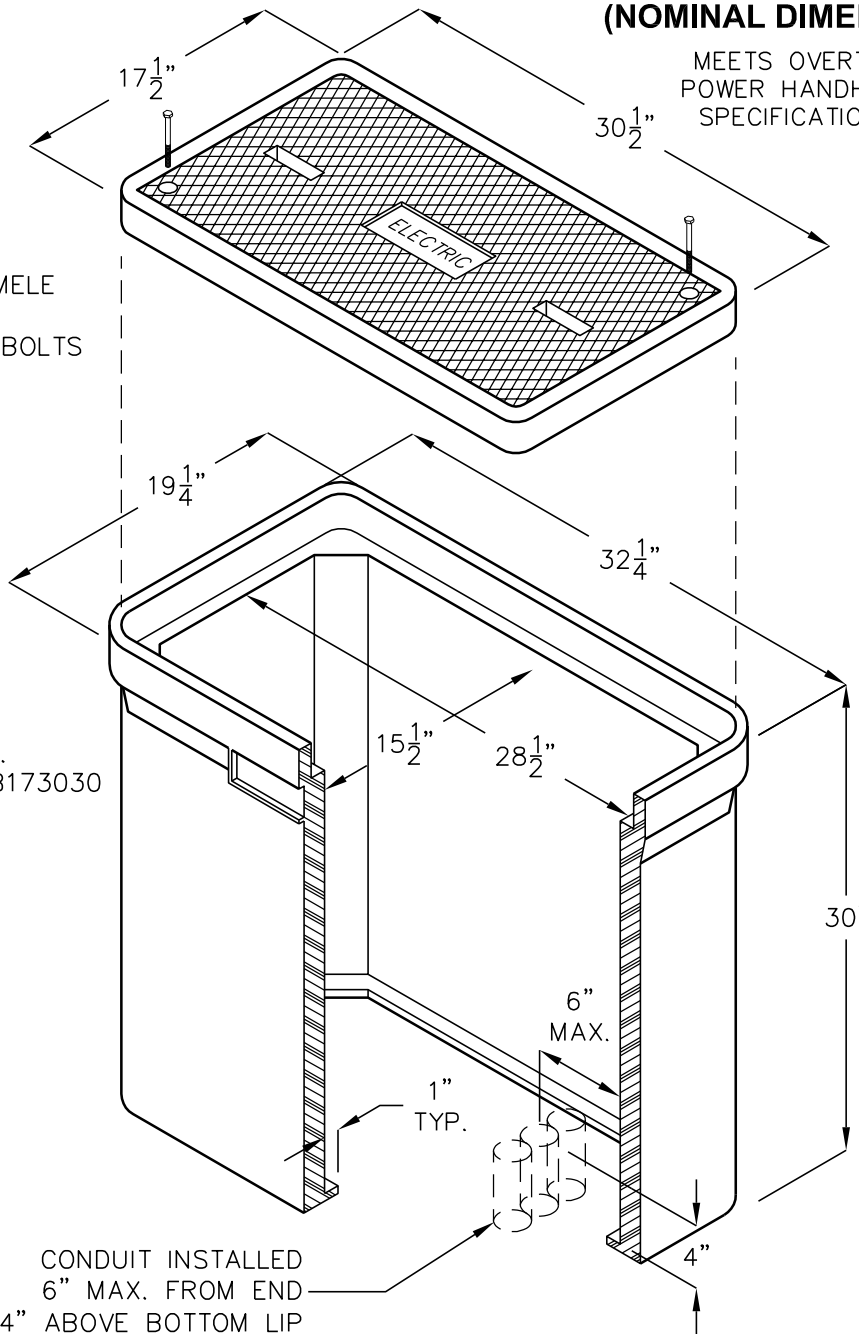


# JRS-1 HANDHOLE

17" X 30" X 30" I.D.  
(NOMINAL DIMENSIONS)

MEETS OVERTON  
POWER HANDHOLE  
SPECIFICATIONS

POLYMER LID  
74 LBS.  
STOCK # CYN36NMELE  
WITH 1/2x3-1/2"  
STAINLESS STEEL BOLTS  
AND WASHERS



BOX 129 LBS.  
STOCK # PCB173030

CONDUIT INSTALLED  
6" MAX. FROM END  
4" ABOVE BOTTOM LIP

LOAD RATING: 22,568# VERTICAL TEST LOAD OVER A  
10" X 10" TEST AREA.

FOR USE IN SIDEWALKS, ROADWAY MEDIANS AND BEHIND  
CURB LOCATIONS WHERE NO DELIBERATE VEHICULAR  
TRAFFIC IS PLANNED.

FOR COMPLETE DESIGN AND PRODUCT INFORMATION,  
CONTACT JENSEN PRECAST.

WHEN ORDERING:  
STANDARD OVERTON POWER  
RS1 KIT INCLUDES BOX & LID AS SHOWN.  
ITEMS MAY BE ORDERED INDIVIDUALLY FOR  
REPLACEMENT. REFER TO INDIVIDUAL  
STOCK NUMBER WHEN ORDERING.