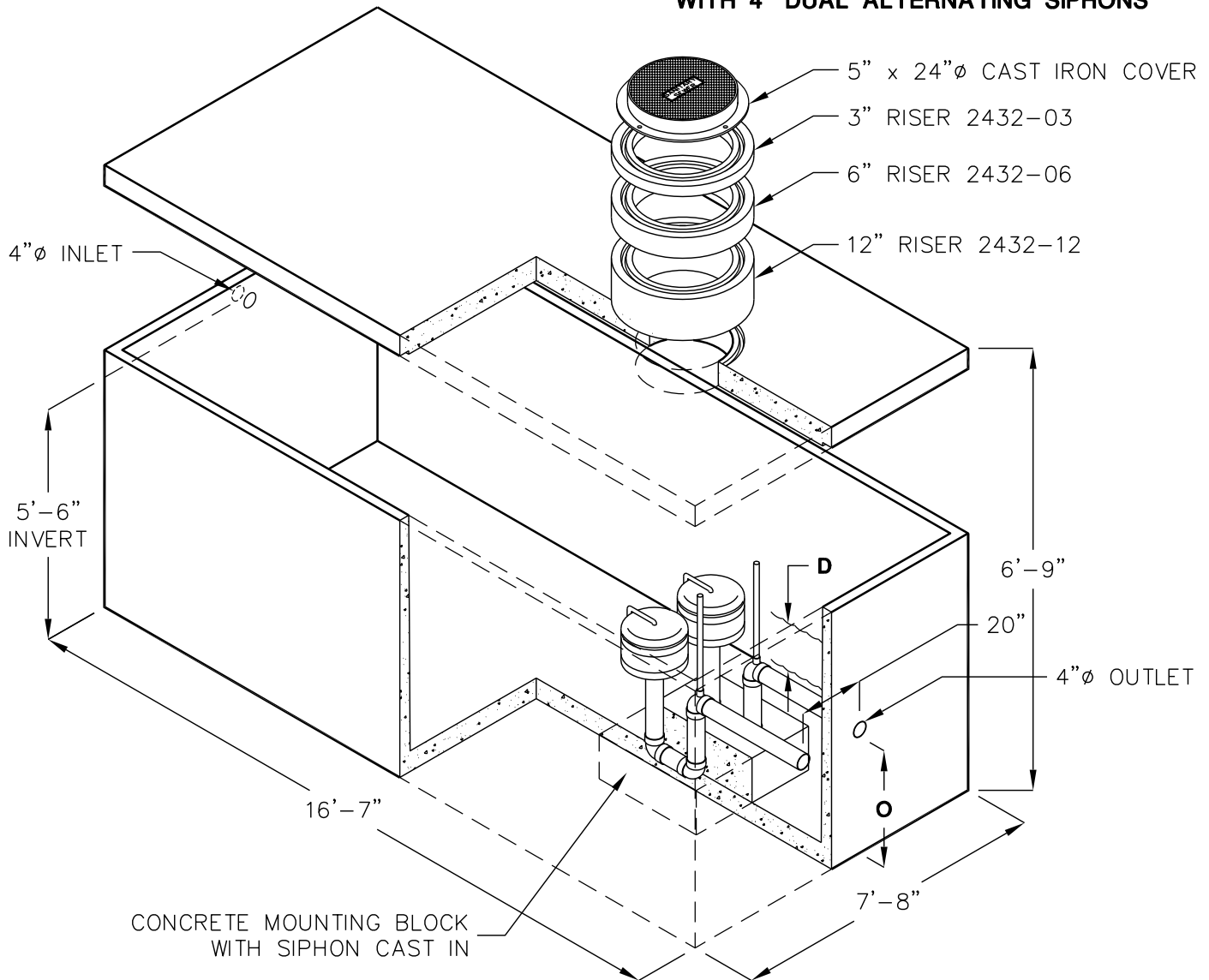


# DOSING SIPHON TANK SERIES 4000T-D

WITH 4" DUAL ALTERNATING SIPHONS



Dosing Siphon Tank Model No.	Average Discharge Flow (GPM)	Discharge Volume (Gallons)	Outlet Invert "O"	Draw Down "D"
DS4000-412	140	855	3'-5"	12"
DS4000-414	144	998	3'-8"	14"
DS4000-416	148	1140	3'-6"	16"
DS4000-418	152	1283	3'-4"	18"
DS4000-420	156	1425	3'-1"	20"
DS4000-424	160	1710	2'-10"	24"

DESIGN LOAD: H-20 TRAFFIC, 1' TO 5' SOIL COVER, NON-TRAFFIC OPTION AVAILABLE.

FOR INFORMATION ON FILTER SCREENS AND DOSE COUNTERS SEE SIPHON ACCESSORIES PAGES.

FOR COMPLETE DESIGN AND PRODUCT INFORMATION CONTACT JENSEN PRECAST.