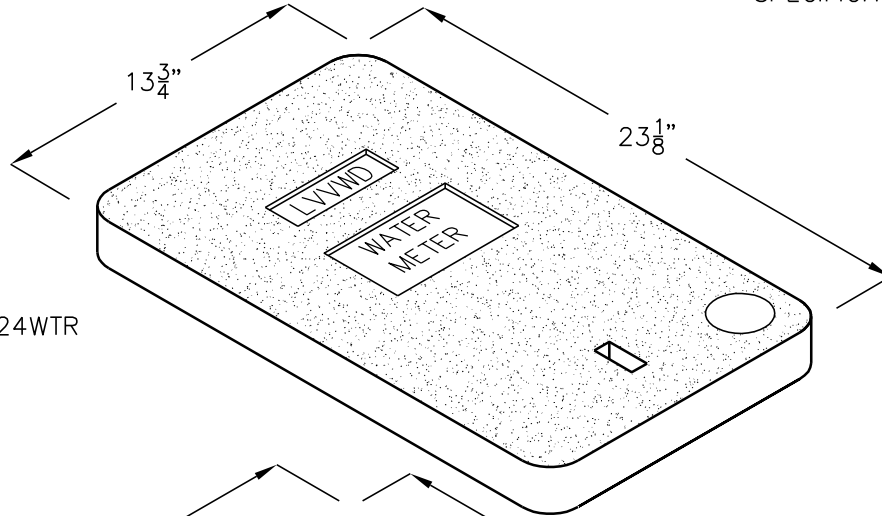


# LVVWD 3/4"-1" POLYMER METER BOX

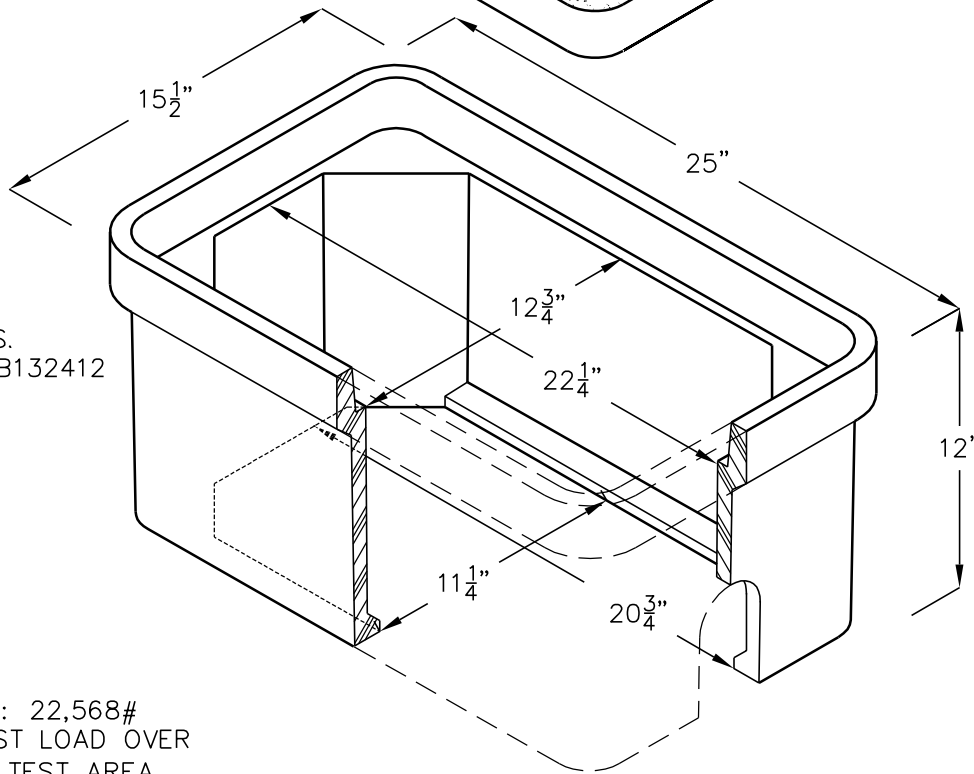
13" X 24" X 12" I.D.  
(NOMINAL DIMENSIONS)

MEETS LVVWD  
SPECIFICATIONS

\*POLYMER LID  
23 LBS.  
STOCK # PCL1324WTR



\*BOX 52 LBS.  
STOCK # PCB132412



LOAD RATING: 22,568#  
VERTICAL TEST LOAD OVER  
A 10" X 10" TEST AREA.

\*FOR USE IN SIDEWALKS, ROADWAY MEDIANS AND  
BEHIND CURB LOCATIONS WHERE NO DELIBERATE  
VEHICULAR TRAFFIC IS PLANNED. METERS PLACED IN  
ROLL CURBS OR DRIVEWAYS REQUIRE TRAFFIC RATED  
BOX AND LID.

FOR COMPLETE DESIGN AND PRODUCT INFORMATION  
CONTACT JENSEN PRECAST.

WHEN ORDERING:  
STANDARD LVVWD 1324 KIT INCLUDES BOX  
& LID AS SHOWN. ITEMS MAY BE  
ORDERED INDIVIDUALLY FOR REPLACEMENT.  
REFER TO INDIVIDUAL STOCK NUMBER  
WHEN ORDERING.