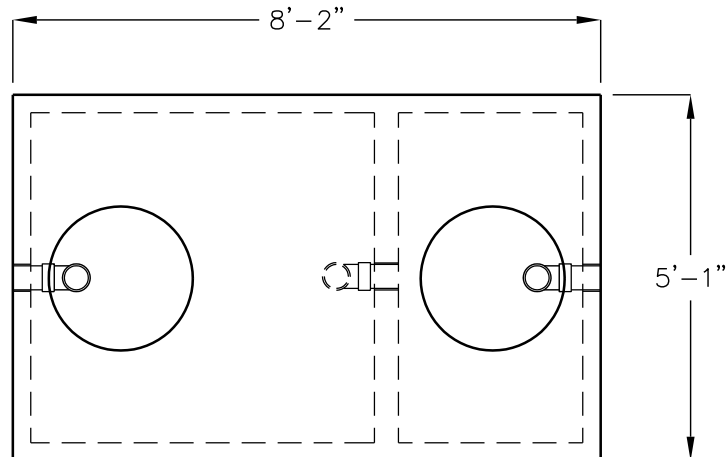
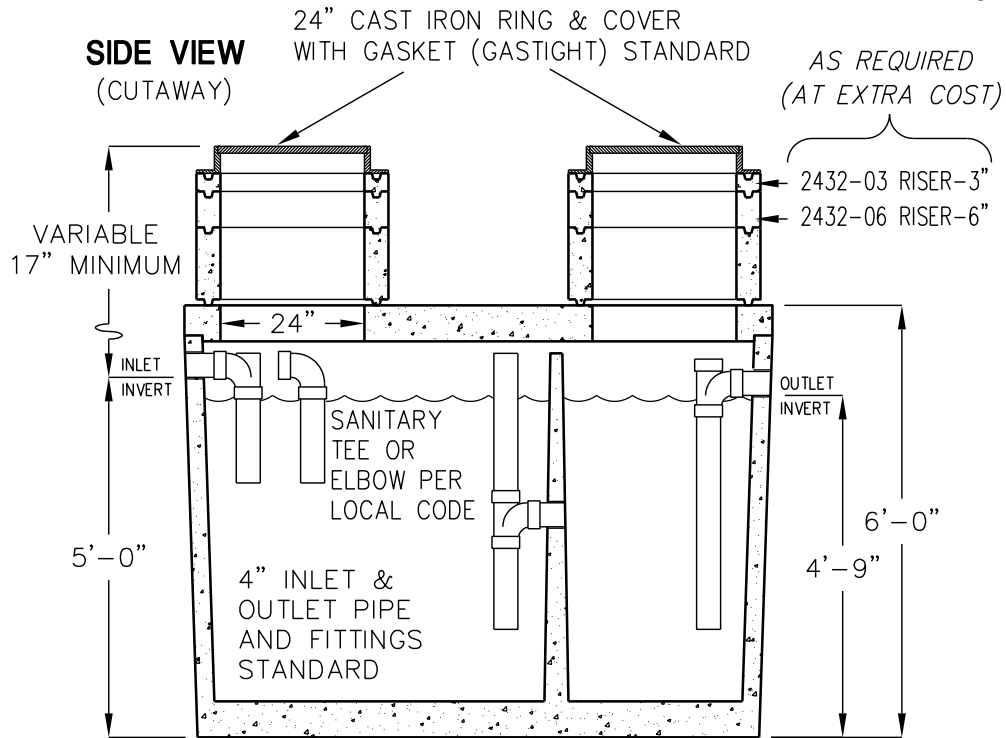


# 1000 GALLON SAND-OIL INTERCEPTOR

MODEL JP1000EE-SO  
ACCEPTED BY UPC®



## TOP VIEW

(COVERS & RISERS REMOVED)

LIQUID CAPACITY: 1,000 GALLONS.

BOX DESIGN LOAD: H-20 TRAFFIC FROM  
1' TO 6' OF SOIL COVER.

FOR COMPLETE DESIGN AND PRODUCT  
INFORMATION CONTACT JENSEN PRECAST.