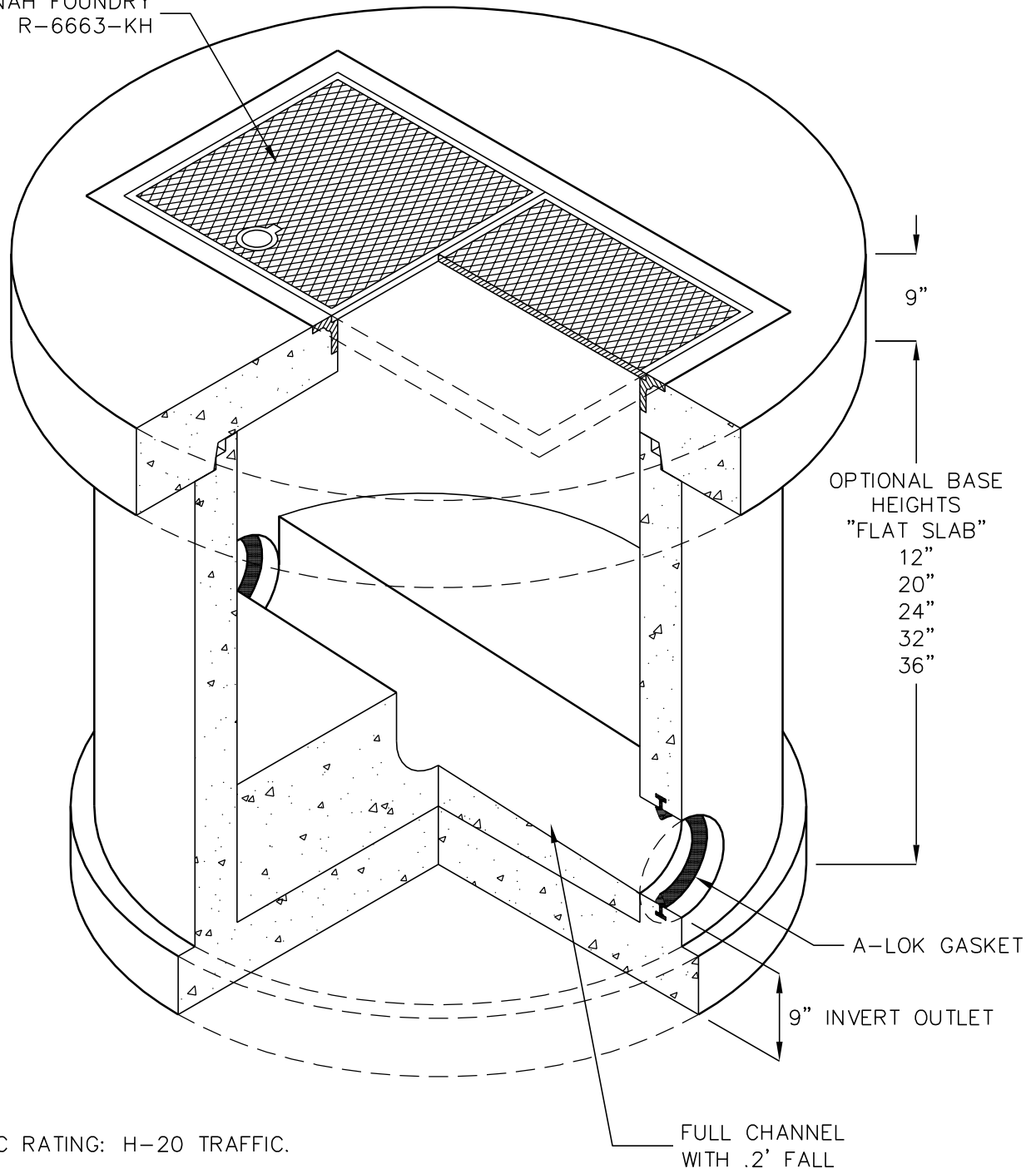


# 4858A SAMPLE BOX

4'-0" DIA. MANHOLE MATERIAL

CLARK COUNTY  
SCHOOL DISTRICT

NEENAH FOUNDRY  
R-6663-KH



TRAFFIC RATING: H-20 TRAFFIC.

MANHOLE COMPONENTS CONFORM TO CURRENT SPECIFICATIONS, ASTM C-478 AND AASHTO M199-93.

FOR COMPLETE DESIGN AND PRODUCT INFORMATION, CONTACT JENSEN PRECAST.