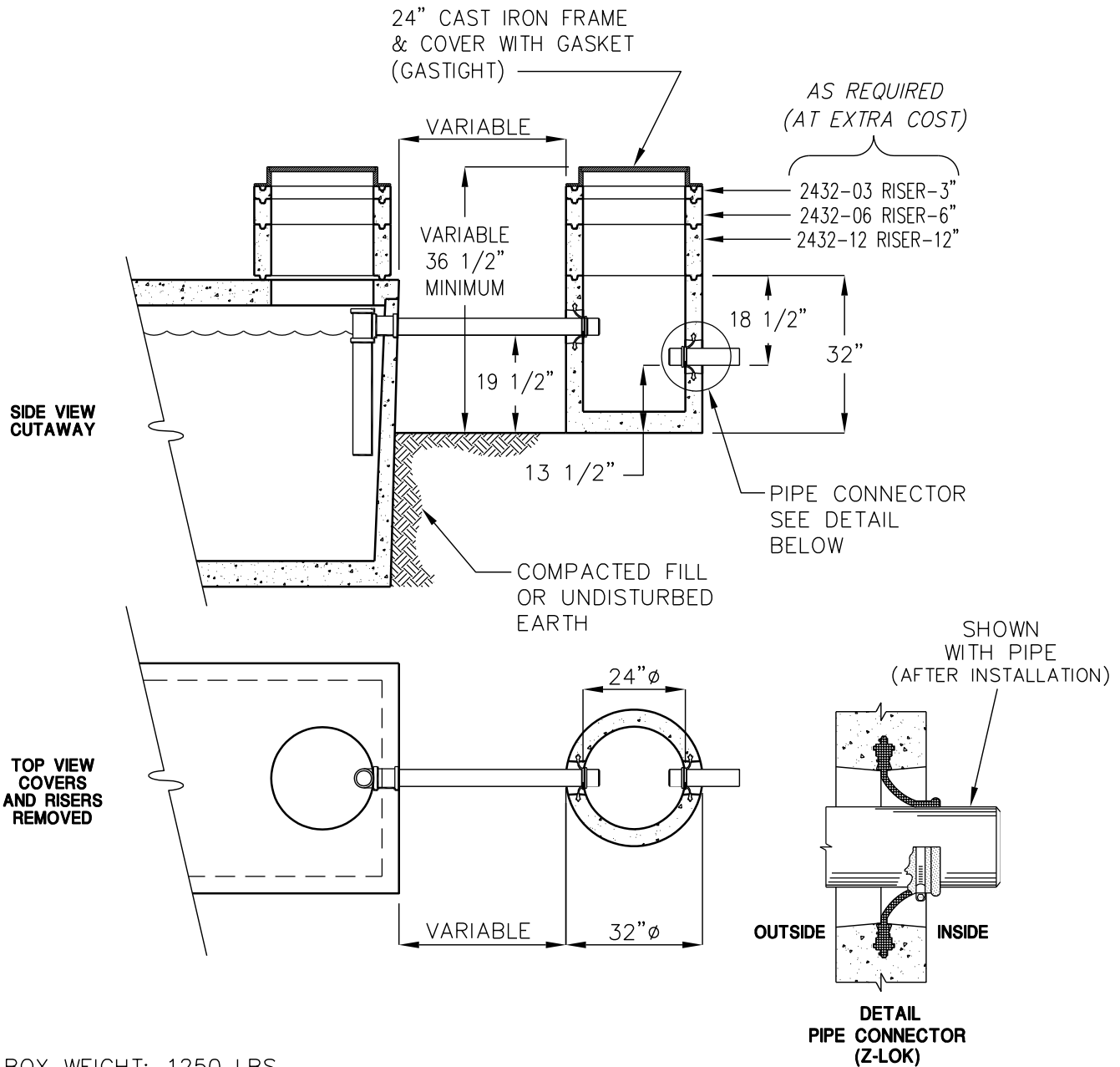


SAMPLE BOX WITH PIPE CONNECTORS

MODEL 2432NLV



BOX WEIGHT: 1250 LBS.
BOX DESIGN LOAD: H-20 TRAFFIC

SAMPLE BOX MUST BE PLACED ON SUITABLE BASE OF COMPACTED SOIL OR UNDISTURBED EARTH IN TRAFFIC CONDITION. FOR COMPLETE DESIGN AND PRODUCT INFORMATION, CONTACT JENSEN PRECAST.

PIPE CONNECTOR CAST INTEGRALLY IN WALL. WILL ACCEPT PIPE O.D. (INCHES)

MIN.	MAX.
4.25	6.25

SEE Z-LOK PIPE CONNECTOR PAGE FOR ADDITIONAL INFORMATION