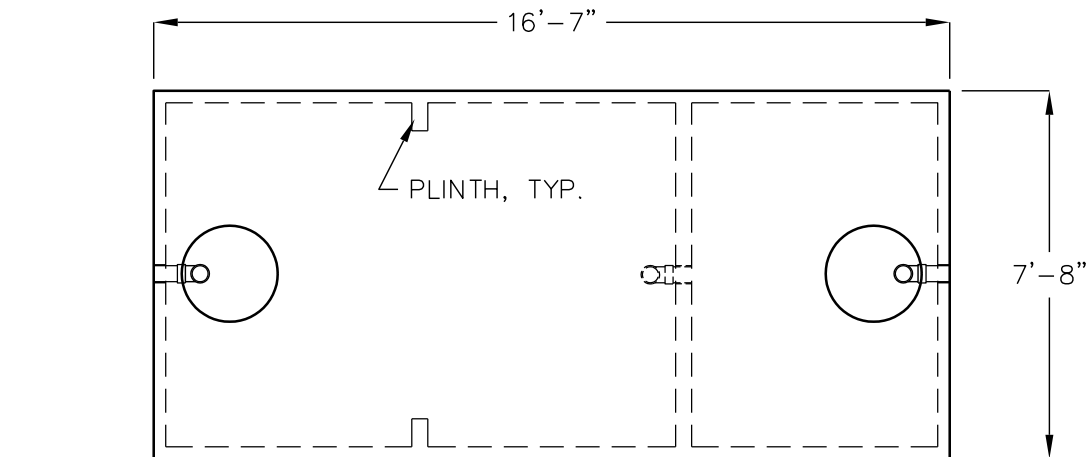
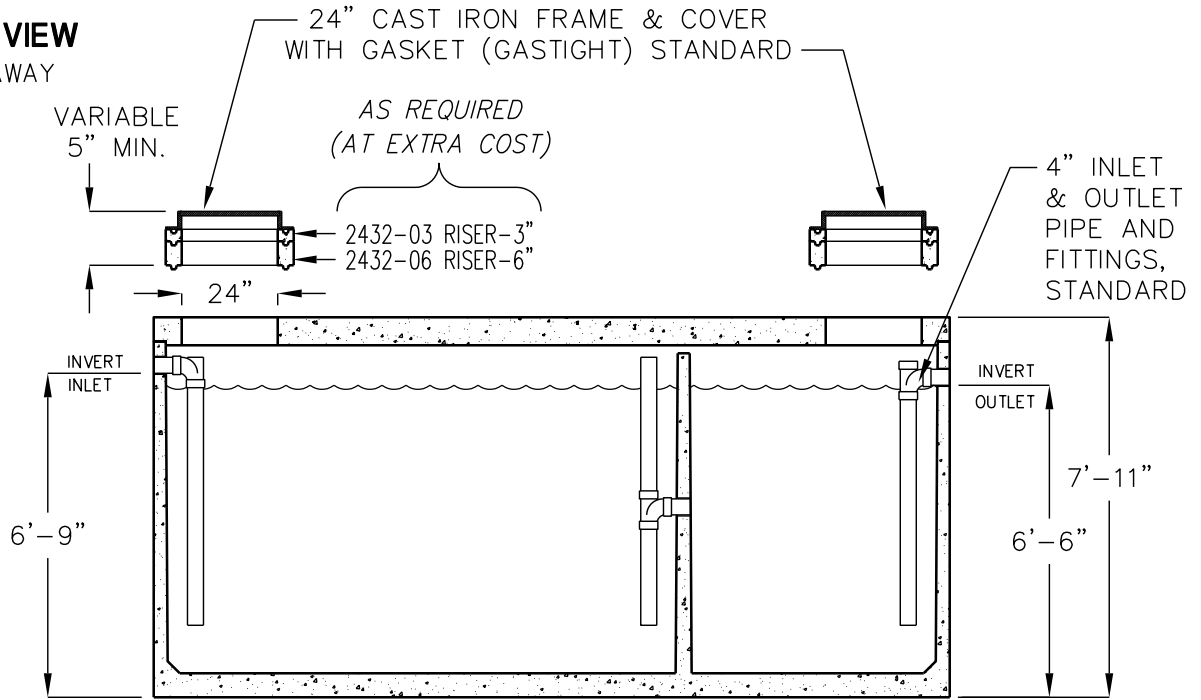


5000 GALLON GREASE INTERCEPTOR

MODEL JZ5000EE-G

ACCEPTED BY UPC®

**SIDE VIEW
CUTAWAY**



TOP VIEW
(COVERS REMOVED)

LIQUID CAPACITY: 5,000 GALLONS.

BOX DESIGN LOAD: H-20 TRAFFIC FROM
1' TO 4' OF SOIL COVER.

FOR COMPLETE DESIGN AND PRODUCT
INFORMATION CONTACT JENSEN PRECAST.