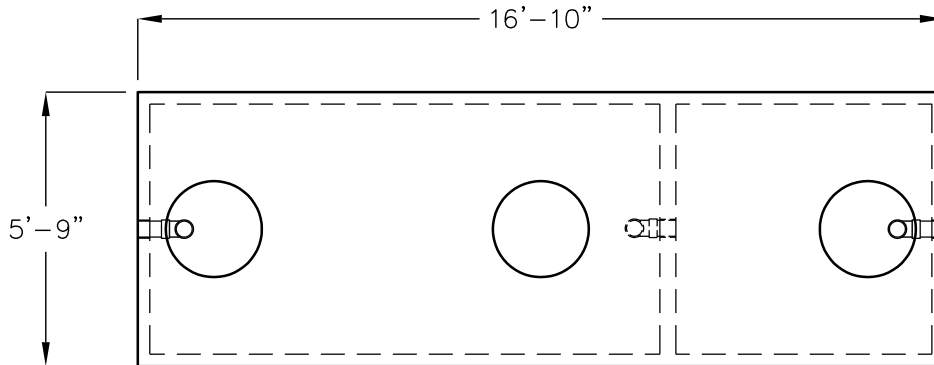
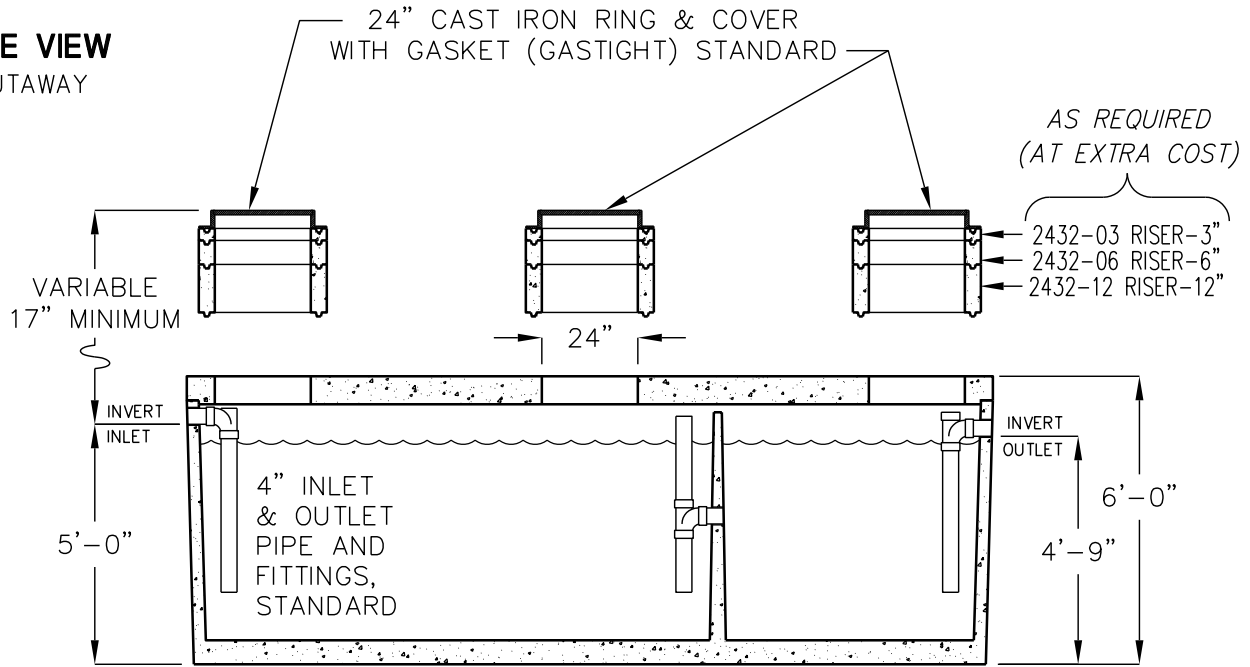


2500 GALLON GREASE INTERCEPTOR

MODEL JZ2500ECE-G

ACCEPTED BY UPC®

SIDE VIEW CUTAWAY



TOP VIEW (COVERS REMOVED)

LIQUID CAPACITY: 2,500 GALLONS.

BOX DESIGN LOAD: H-20 TRAFFIC FROM
1' TO 5' OF SOIL COVER.

FOR COMPLETE DESIGN AND PRODUCT
INFORMATION CONTACT JENSEN PRECAST.