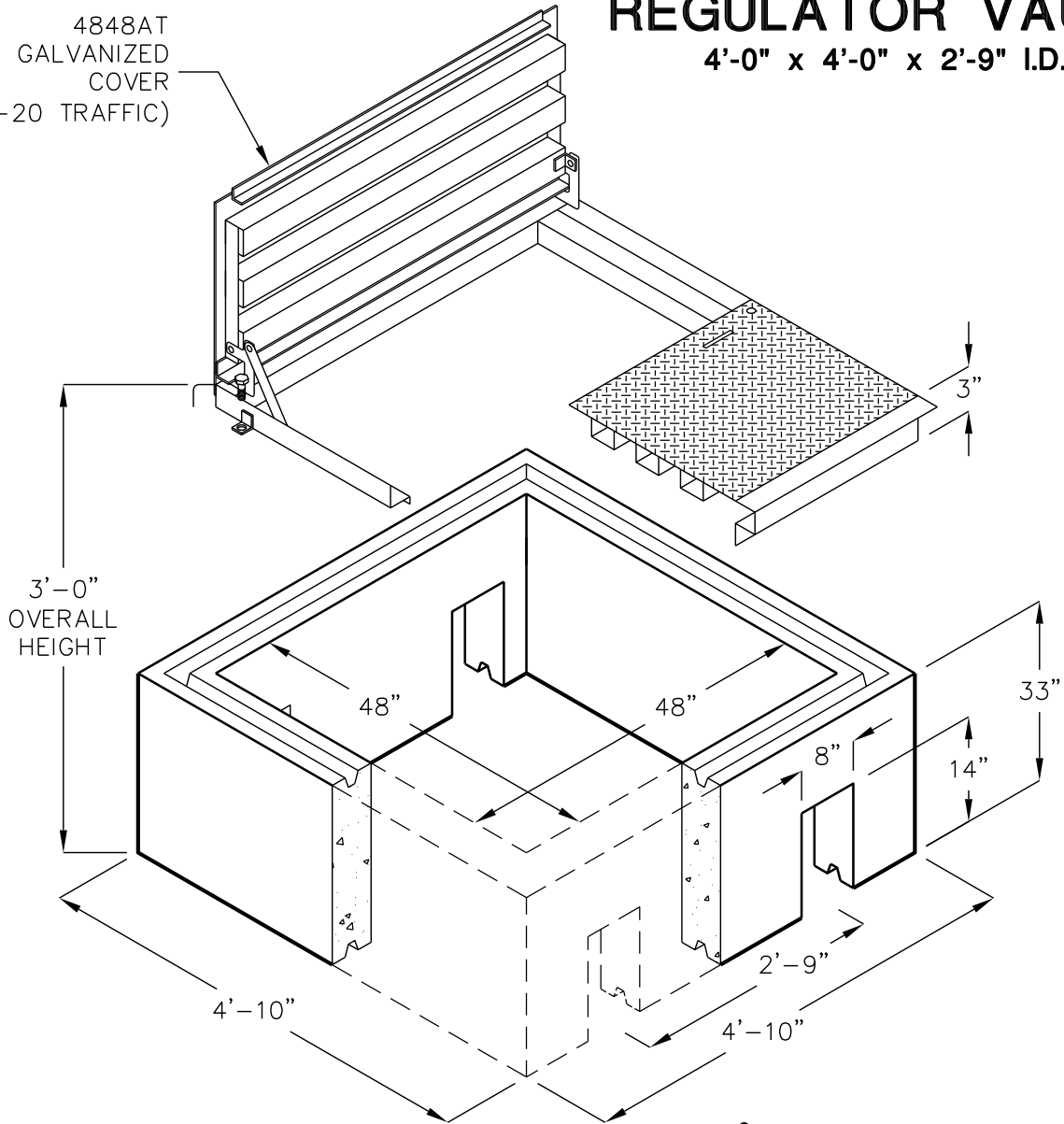


# SWG 4848 REGULATOR VAULT

4'-0" x 4'-0" x 2'-9" I.D.

4848AT  
GALVANIZED  
COVER  
(H-20 TRAFFIC)



KNOCKOUTS, OPENINGS, HARDWARE,  
ETC. PER SOUTHWEST GAS  
SPECIFICATIONS.

\*NOTE:  
H-20 WHEEL LOADINGS.  
SUITABLE FOR USE IN  
OFF-STREET LOCATIONS  
WHERE NOT SUBJECTED  
TO HIGH DENSITY  
TRAFFIC.

FOR COMPLETE DESIGN  
AND PRODUCT INFORMATION  
CONTACT JENSEN PRECAST.

