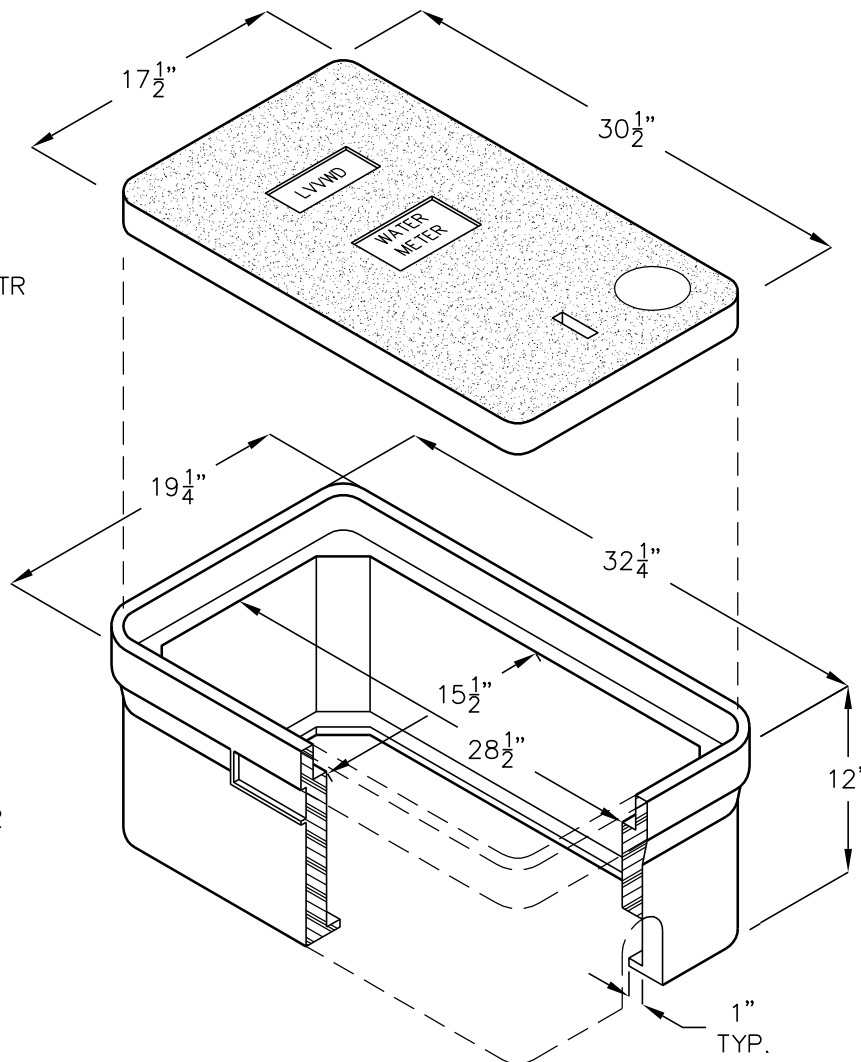


LVVWD 2" POLYMER METER BOX

17" X 30" X 12" I.D.
(NOMINAL DIMENSIONS)

MEETS LVVWD
SPECIFICATIONS

*POLYMER LID
74 LBS.
STOCK # PCL1730WTR



*BOX 92 LBS.
STOCK # PCB173012

LOAD RATING: 22,568#
VERTICAL TEST LOAD OVER
A 10" X 10" TEST AREA.

*FOR USE IN SIDEWALKS, ROADWAY MEDIANS AND
BEHIND CURB LOCATIONS WHERE NO DELIBERATE
VEHICULAR TRAFFIC IS PLANNED. METERS PLACED
IN ROLL CURBS OR DRIVEWAYS REQUIRE TRAFFIC
RATED BOX AND LID.

FOR COMPLETE DESIGN AND PRODUCT INFORMATION
CONTACT JENSEN PRECAST.

WHEN ORDERING:
STANDARD LVVWD 1730 KIT INCLUDES BOX & LID
AS SHOWN. ITEMS MAY BE ORDERED INDIVIDUALLY
FOR REPLACEMENT. REFER TO INDIVIDUAL STOCK
NUMBER WHEN ORDERING.