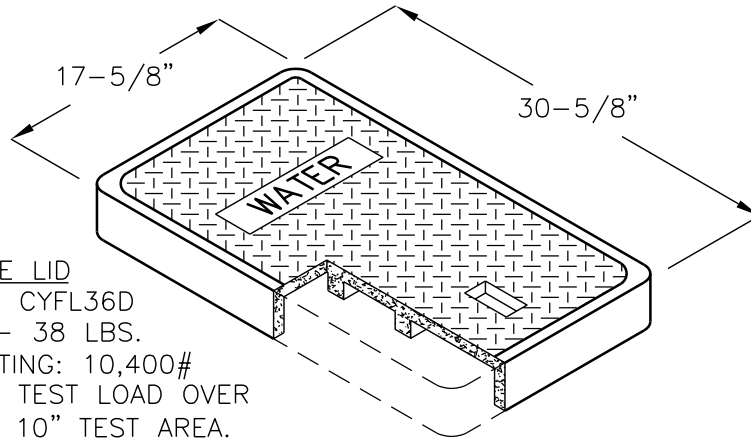
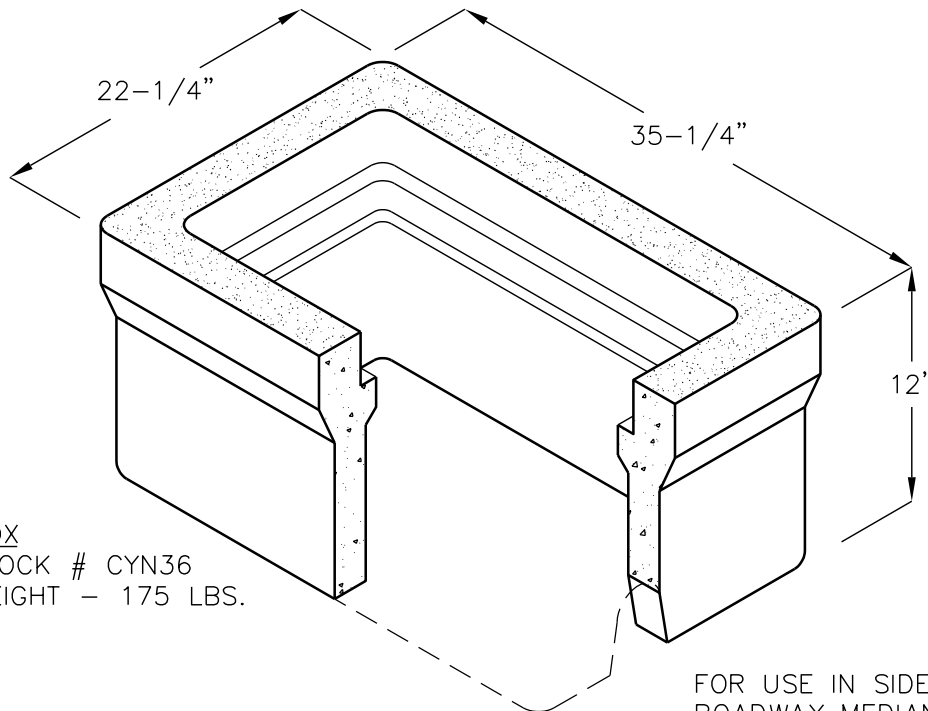


CITY OF NORTH LAS VEGAS 1 1/2" - 2" WATER METER BOX

N36 BOX W/ FIBRELYTE LID



FIBRELYTE LID
STOCK # CYFL36D
WEIGHT - 38 LBS.
LOAD RATING: 10,400#
VERTICAL TEST LOAD OVER
A 10" X 10" TEST AREA.



BOX
STOCK # CYN36
WEIGHT - 175 LBS.

FOR USE IN SIDEWALKS,
ROADWAY MEDIANS AND
BEHIND CURB LOCATIONS
WHERE NO DELIBERATE
VEHICULAR TRAFFIC IS
PLANNED. METERS PLACED IN
ROLL CURBS OR DRIVEWAYS
REQUIRE TRAFFIC RATED BOX
AND LID.

FOR COMPLETE DESIGN
AND PRODUCT INFORMATION
CONTACT JENSEN PRECAST.