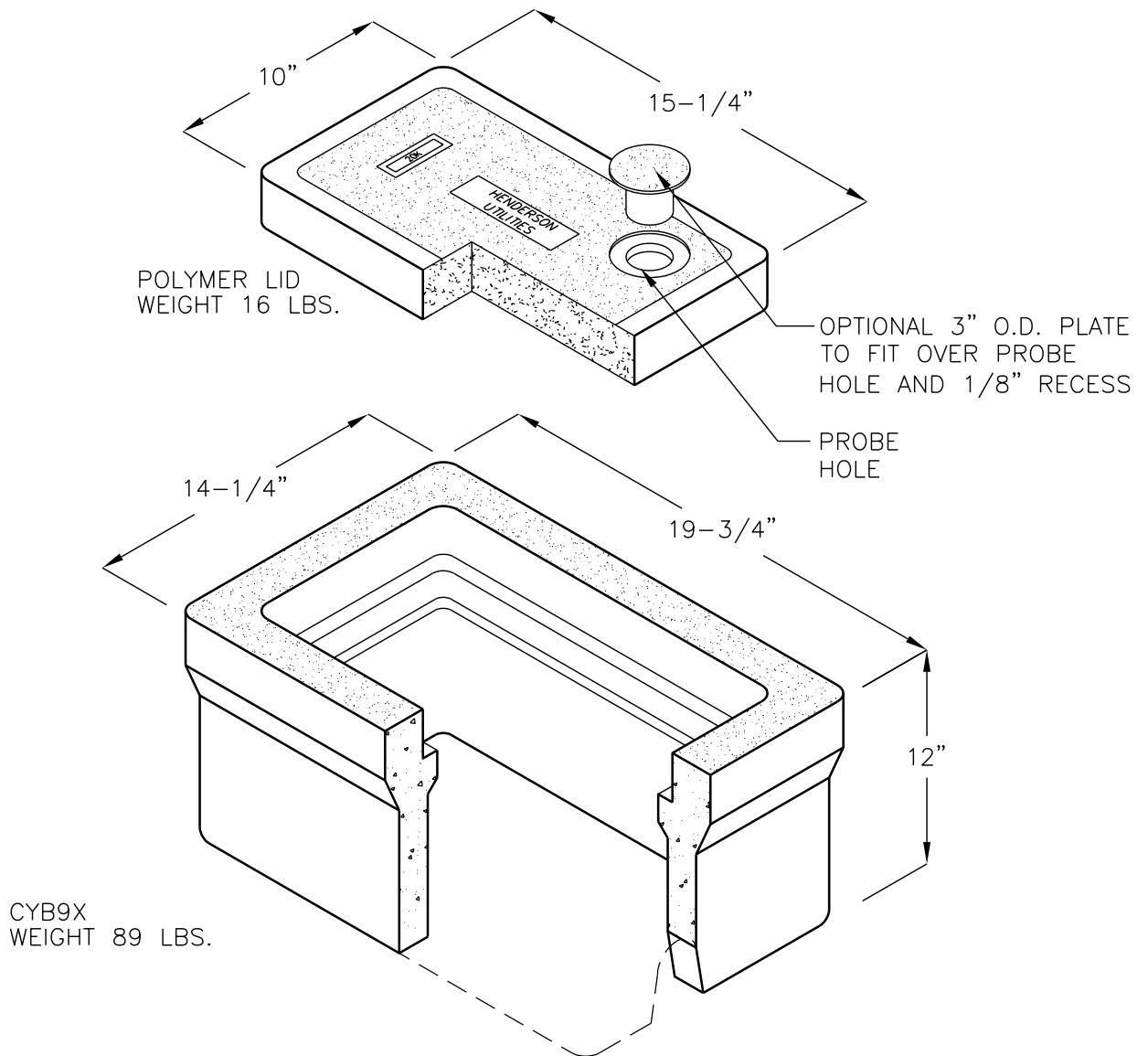


# CITY OF HENDERSON 3/4" WATER METER BOX

B9X BOX W/ POLYMER PROBE LID

10" x 17" x 12"

(INSIDE DIMENSIONS)



FOR COMPLETE DESIGN  
AND PRODUCT INFORMATION  
CONTACT JENSEN PRECAST.

FOR USE IN BEHIND CURB  
NON-TRAFFIC LOCATIONS.  
METERS PLACED IN ROLL  
CURBS OR DRIVEWAYS  
REQUIRE TRAFFIC RATED BOX  
AND LID.