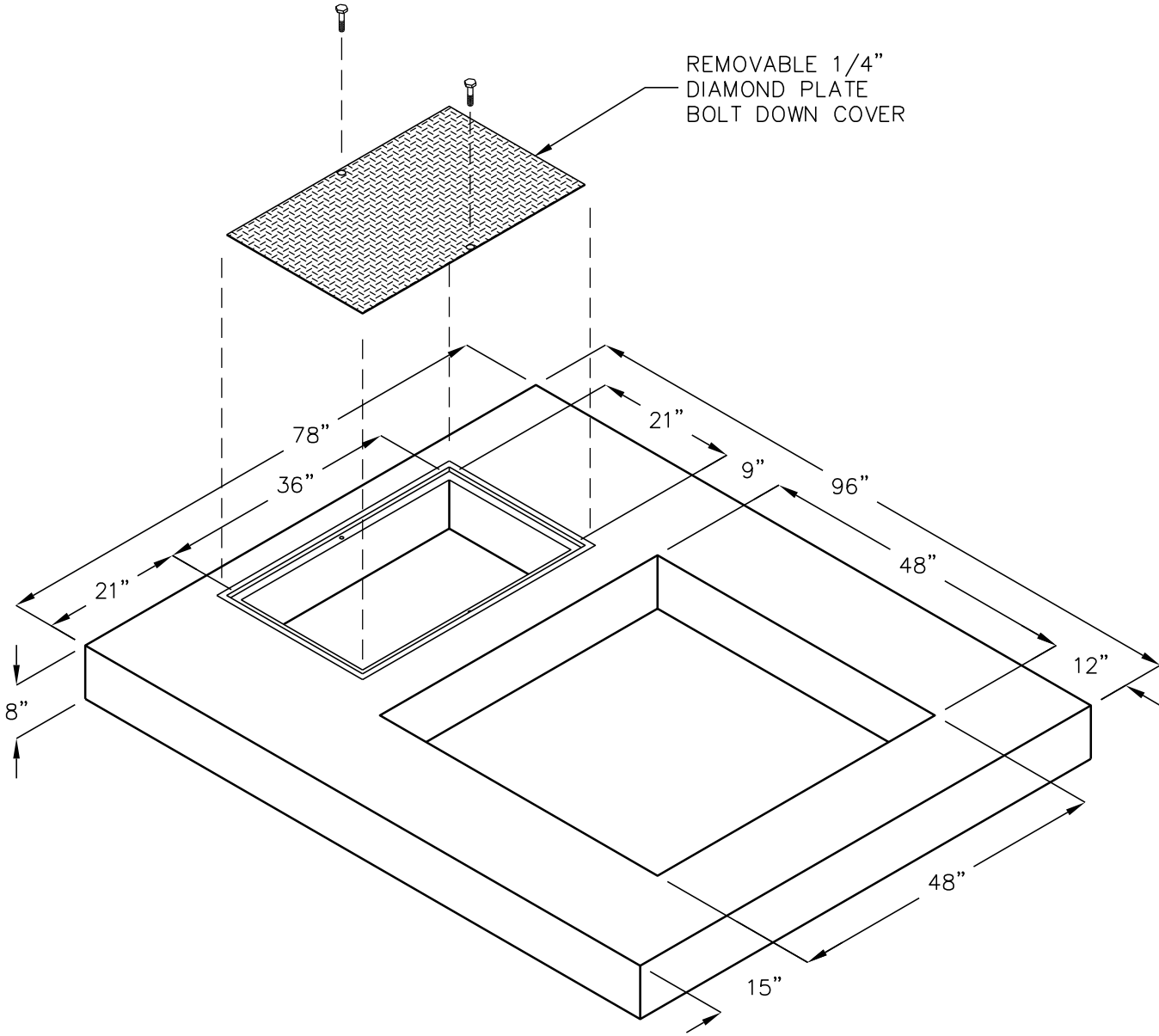


OVERTON POWER DISTRICT

USP 109-115 SWITCH PAD

FOR USE WITH PAD MOUNTED SWITCHES
MES-109 THROUGH MES-115



REMOVABLE 1/4"
DIAMOND PLATE
BOLT DOWN COVER

FOR COMPLETE DESIGN AND PRODUCT INFORMATION
CONTACT JENSEN PRECAST.