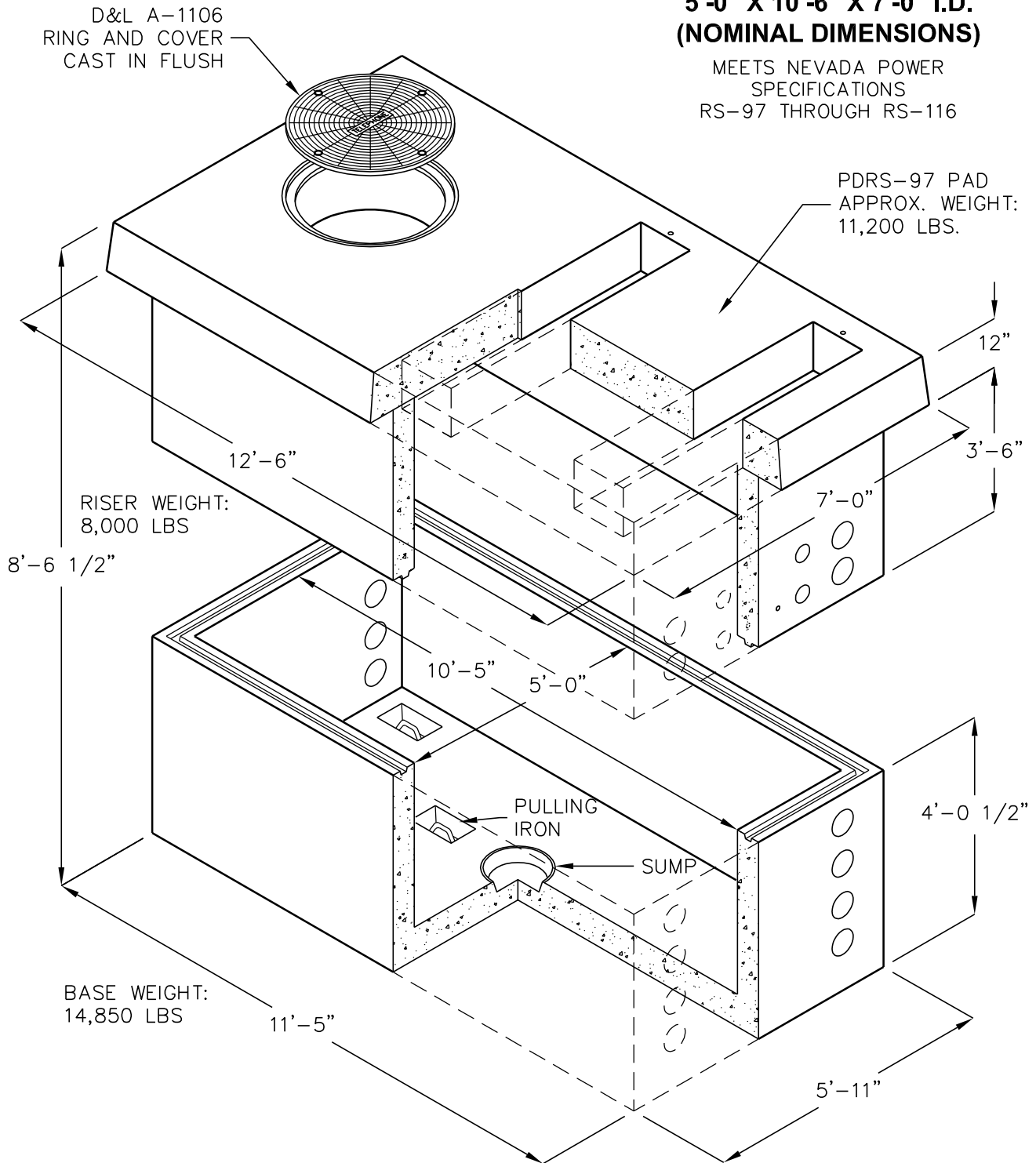


RS-97 SWITCH & FUSE CABINET MANHOLE

5'-0" X 10'-6" X 7'-0" I.D.
(NOMINAL DIMENSIONS)

MEETS NEVADA POWER
SPECIFICATIONS
RS-97 THROUGH RS-116



FOR COMPLETE DESIGN
AND PRODUCT INFORMATION
CONTACT JENSEN PRECAST.

NV POWER SPEC.	RS-97	RS-98	RS-99	RS-100*	RS-101*	RS-110	RS-111	RS-112**	RS-113**	RS-116
MODEL NUMBER	JRS-97	JRS-98	RS-99	JRS-100	JRS-101	JRS-110	JRS-111	JRS-112	JRS-113	JRS-116

*REQUIRES RS-46 TRANSFORMER PAD
**REQUIRES RS-58 TRANSFORMER PAD