

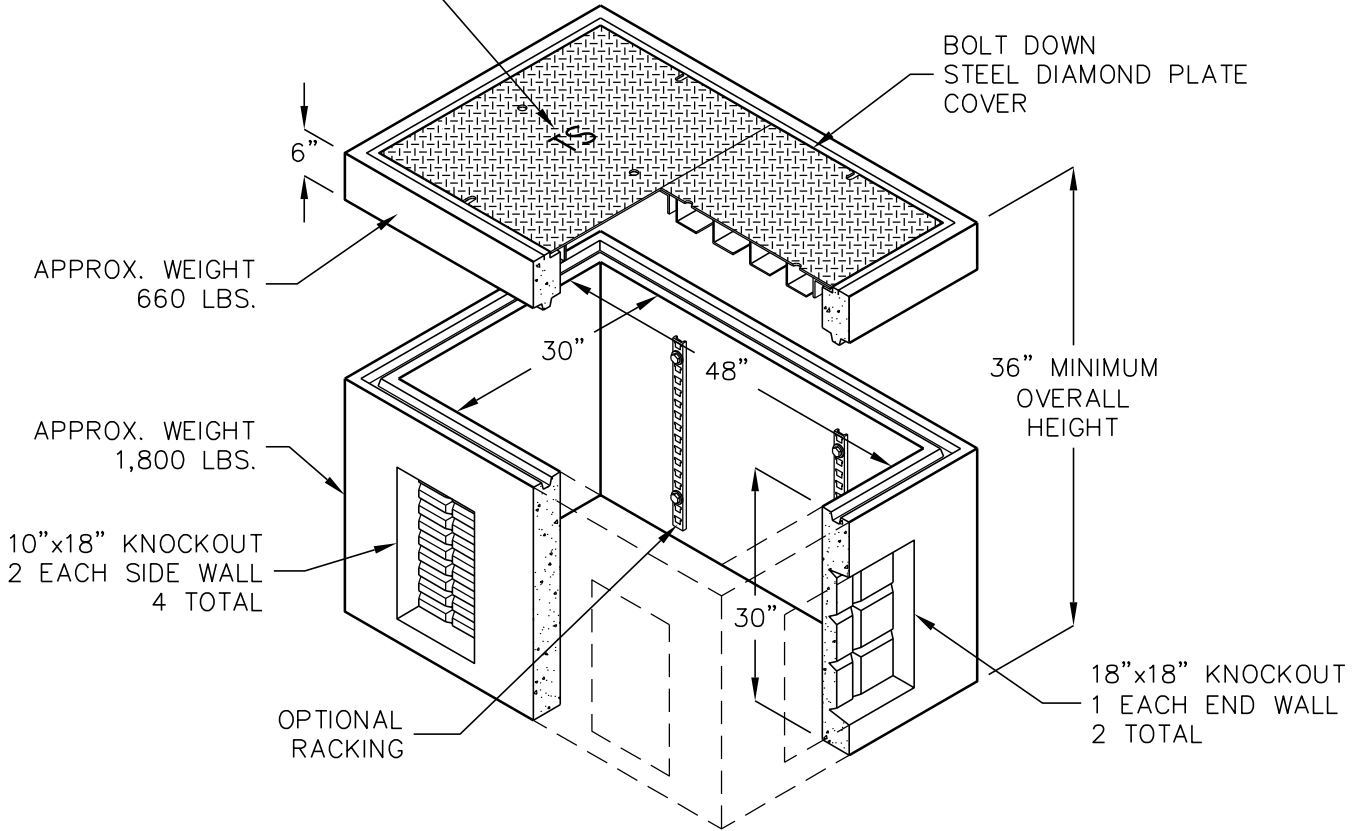
NO. 9 ELECTRICAL PULLBOX

30"x48"x30" I.D.

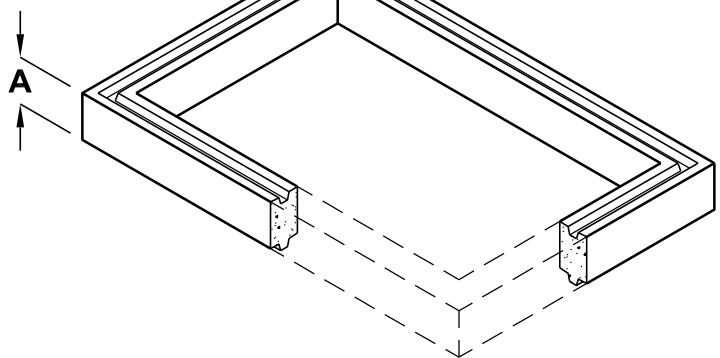
(NOMINAL DIMENSIONS)

MEETS NDOT NO. 9 SPECIFICATION

COVER TO BE MARKED:
 TS= TRAFFIC SIGNAL
 SL= STREET LIGHT
 ELE= ELECTIC



RISERS		
MODEL NO.	A	WEIGHT
RS304806	6"	360 LBS.
RS304812	12"	720 LBS.



COVER DESIGN LOAD: INCIDENTAL H-20 TRAFFIC SUITABLE FOR OFF STREET LOCATIONS AWAY FROM HIGH DENSITY TRAFFIC.

BOX DESIGN LOAD: H-20 TRAFFIC.

FOR COMPLETE DESIGN AND PRODUCT INFORMATION CONTACT JENSEN PRECAST.