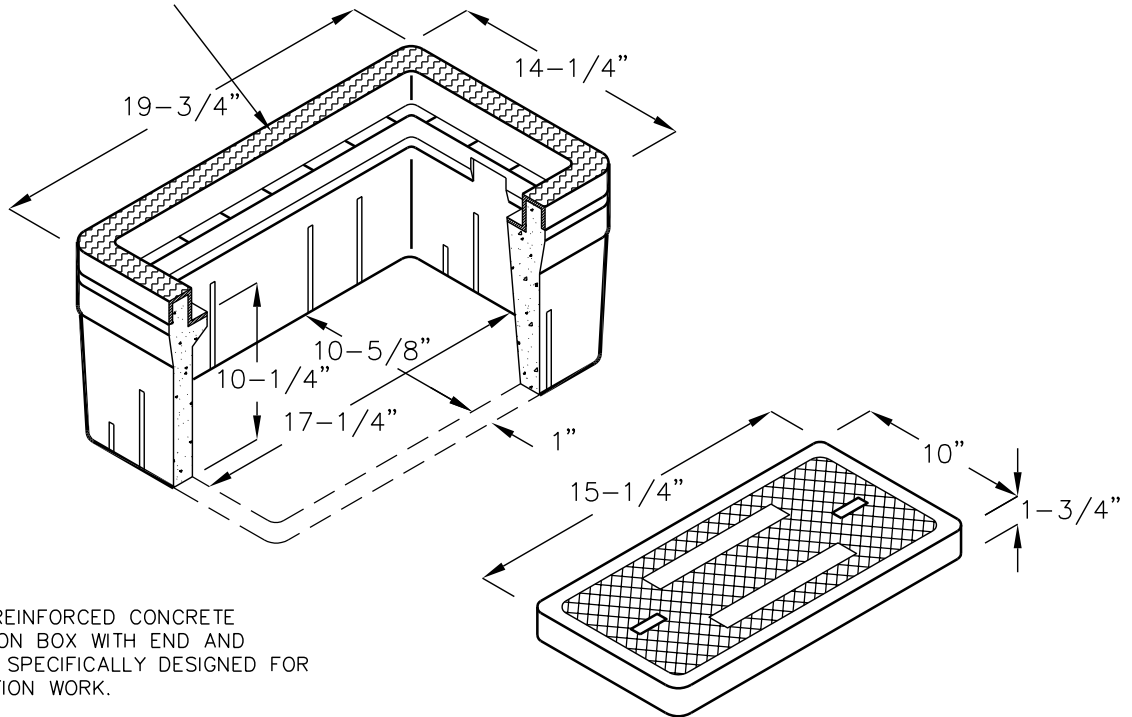


N9 ELECTRICAL HANDHOLE

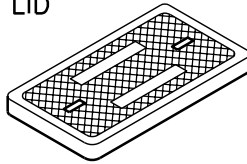
10-5/8" x 17-1/4" x 10-1/4"
(INSIDE DIMENSIONS)

- ETCHED POLYETHYLENE FACE
- FACE ANCHORED IN CONCRETE
- ULTRAVIOLET INHIBITOR

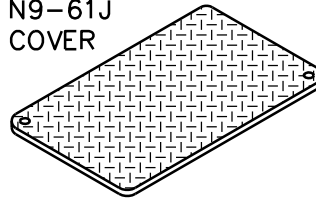


A HIGH DENSITY REINFORCED CONCRETE PULL AND JUNCTION BOX WITH END AND SIDE KNOCKOUTS. SPECIFICALLY DESIGNED FOR TELEPHONE JUNCTION WORK.

N9D/FL9D
LID



N9-61J
COVER



CATALOG NUMBER	PRODUCT	DESCRIPTION	APPROX. WT. (LBS.)
N9	BOX	REINFORCED CONCRETE	87
N9D	LID	REINFORCED CONCRETE	22
FL9D	LID	FIBRELYTE LID	5
N9-61D	COVER	STEEL CHECKER PLATE	16
N9X12	EXTENSION	12" HIGH REINFORCED CONCRETE	82
N9BA	BASE	5s" HIGH REINFORCED CONCRETE	50