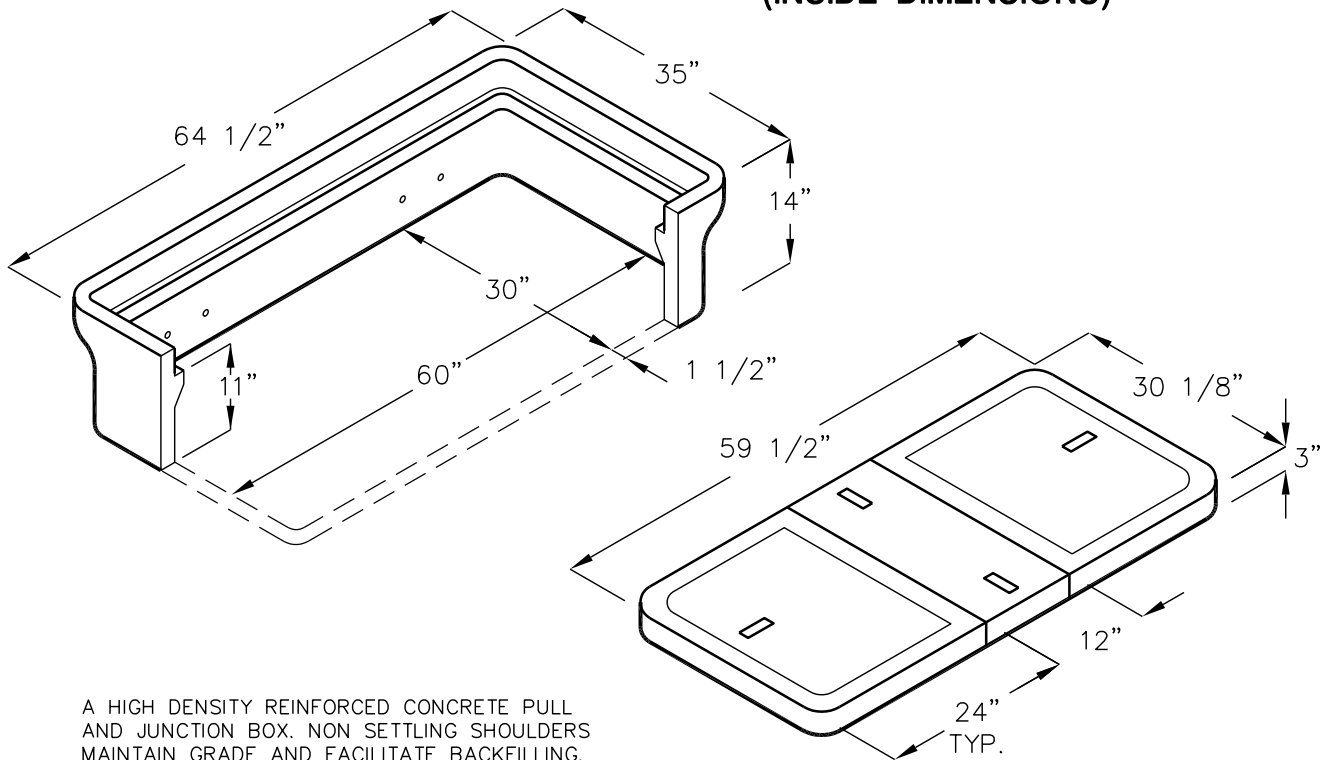
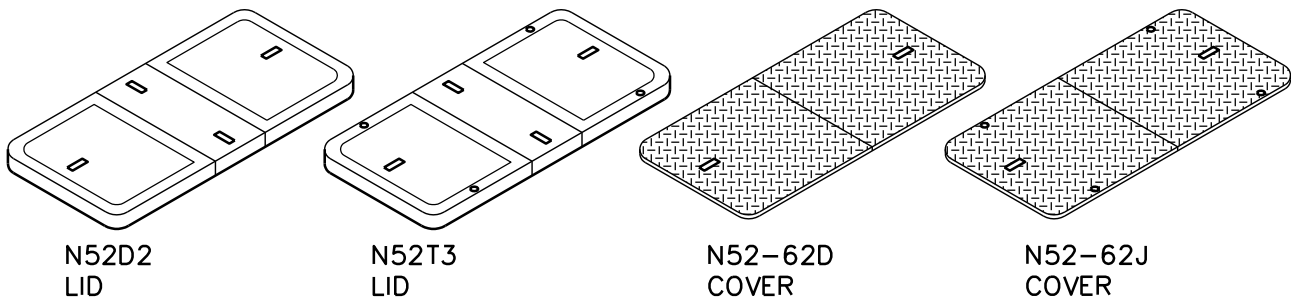


# N52 ELECTRICAL HANDHOLE

30" x 60" x 11"  
(INSIDE DIMENSIONS)



A HIGH DENSITY REINFORCED CONCRETE PULL AND JUNCTION BOX. NON SETTLING SHOULDERS MAINTAIN GRADE AND FACILITATE BACKFILLING.



N52D2  
LID

N52T3  
LID

N52-62D  
COVER

N52-62J  
COVER

CATALOG NUMBER	PRODUCT	DESCRIPTION	APPROX. WT. (LBS.)
N52	BOX	REINFORCED CONCRETE	491
N52D3	LID	3 PIECE REINFORCED CONCRETE	425
N52T3	LID	3 PIECE REINFORCED CONCRETE WITH HOLD DOWN BOLTS AND INTERLOCKING CENTER	425
N52-62D	COVER	2 PIECE STEEL CHECKER PLATE	187
N52-62J	COVER	2 PIECE STEEL CHECKER PLATE WITH HOLD DOWN BOLTS	187
N52X10	EXTENSION	10" HIGH REINFORCED CONCRETE	309
N52SL	SLAB	REINFORCED CONCRETE	509